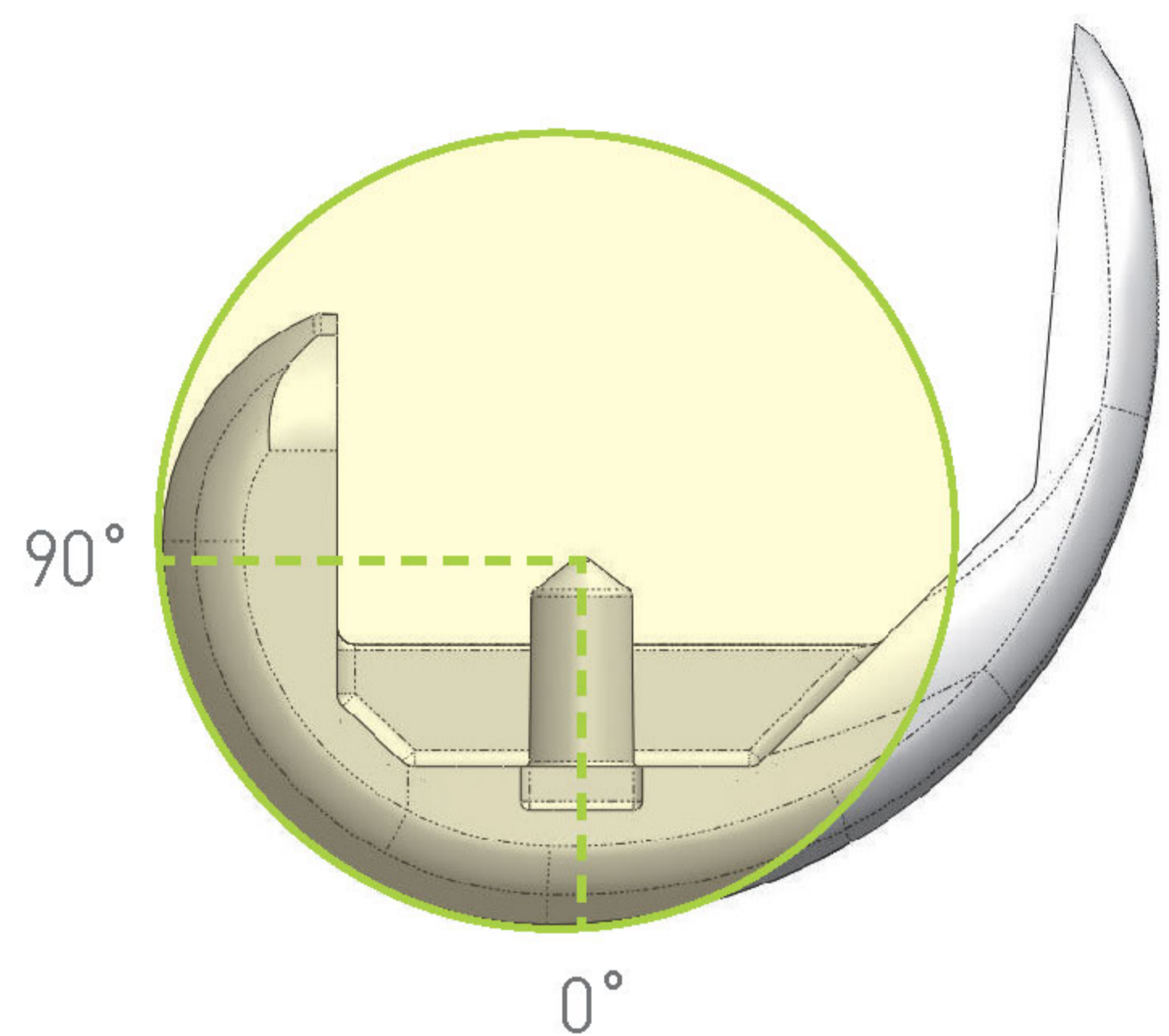


Lospoa

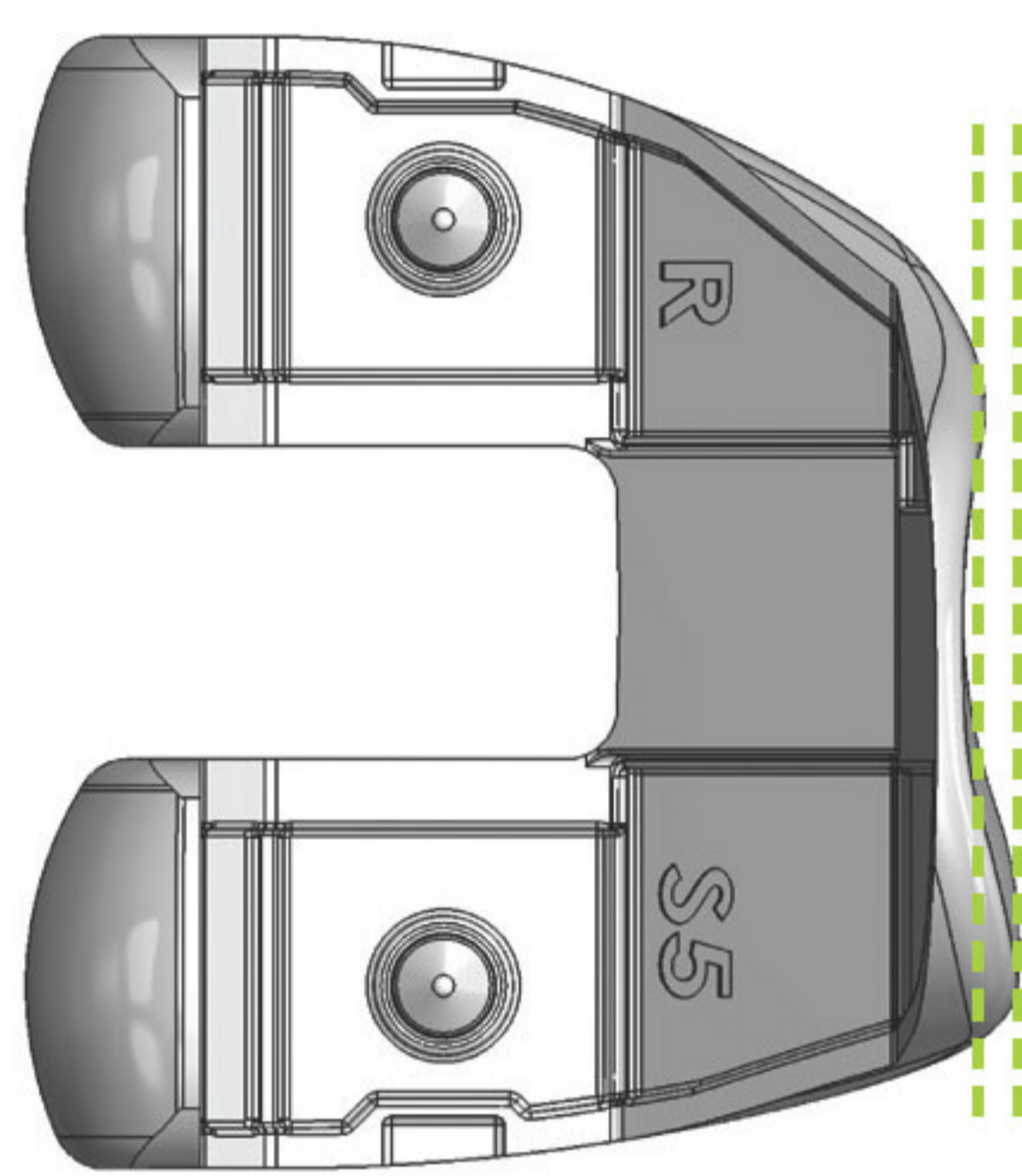
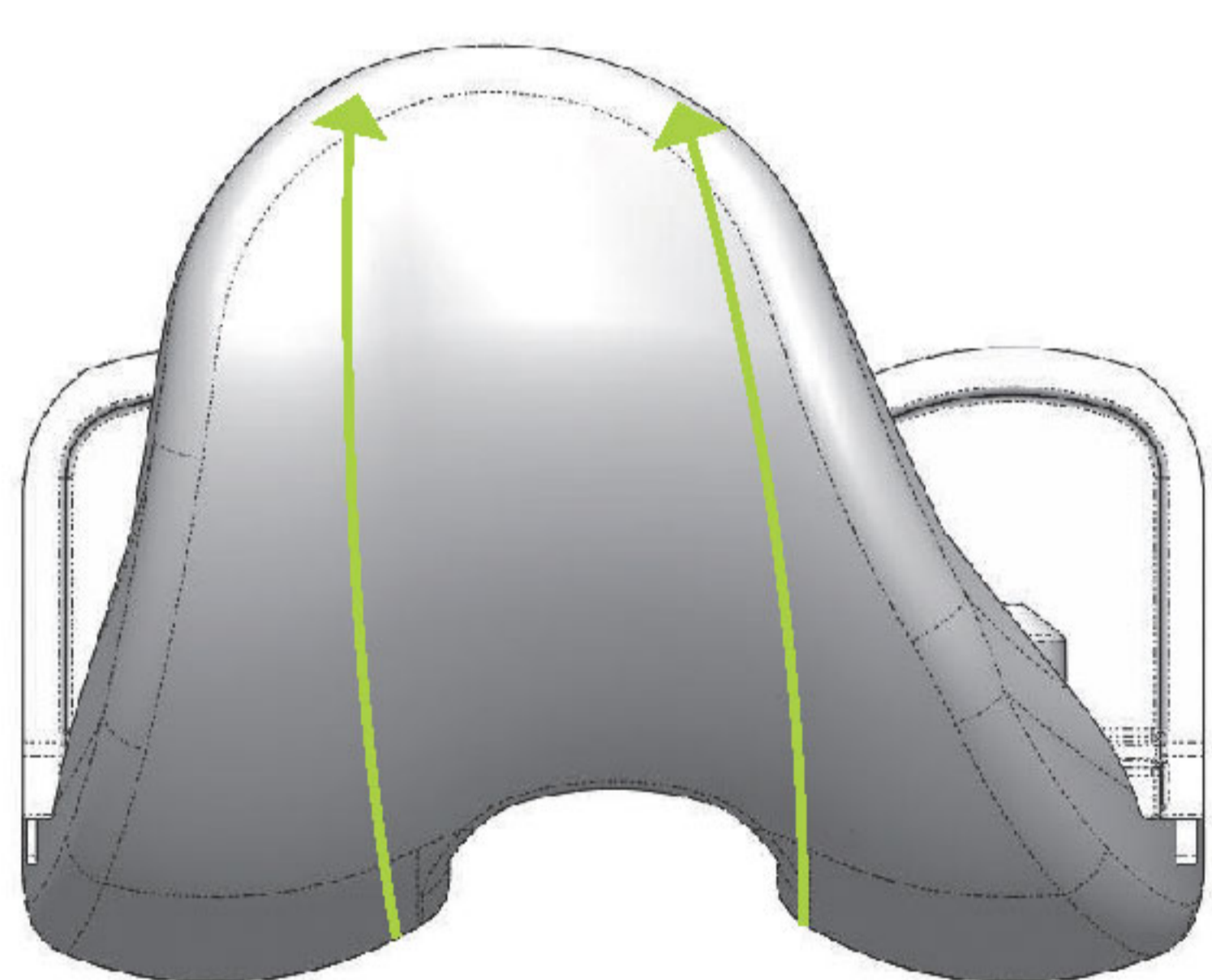
K N E E S Y S T E M



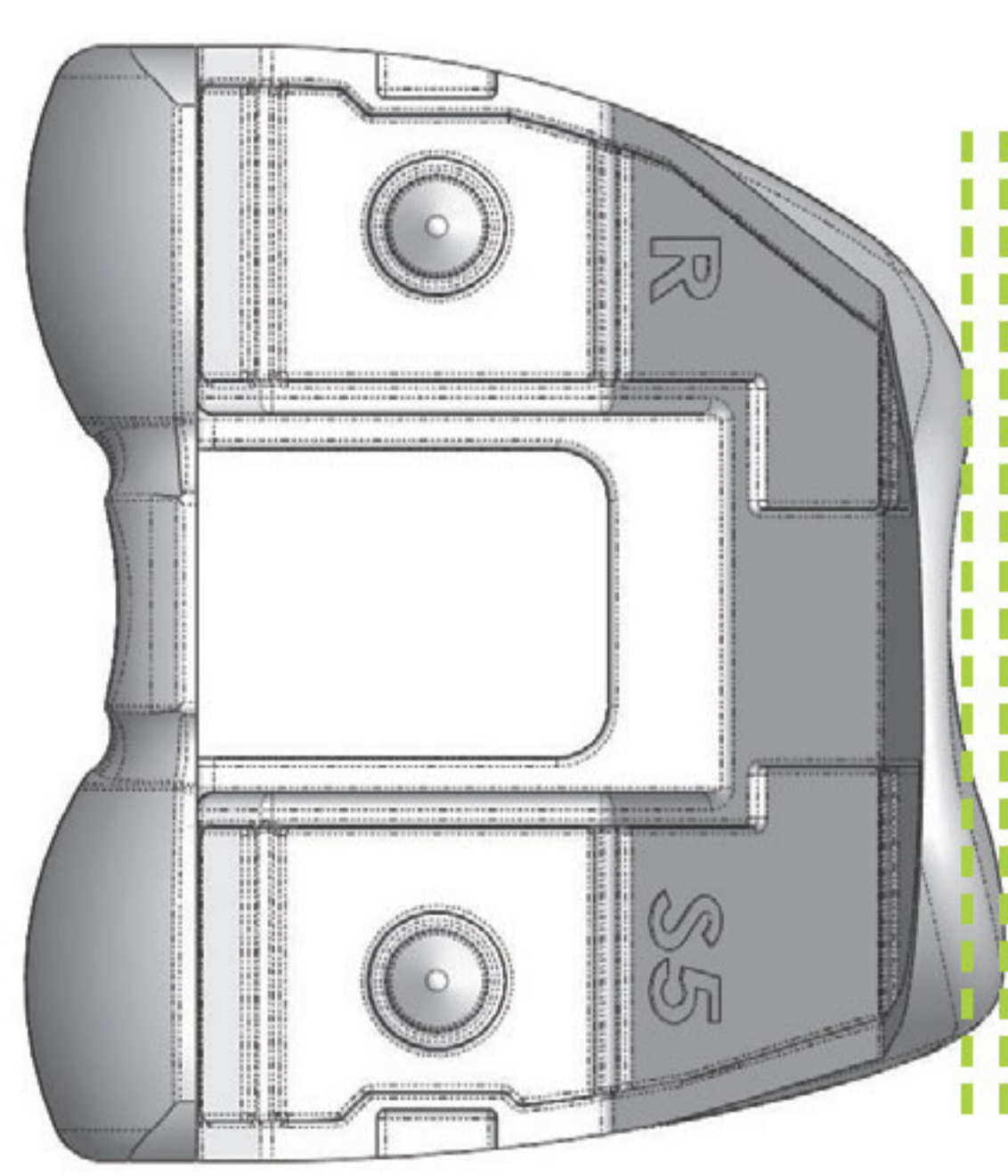
Femoral Component



Single axis concept for articular stability with flexion and improving range of motion.

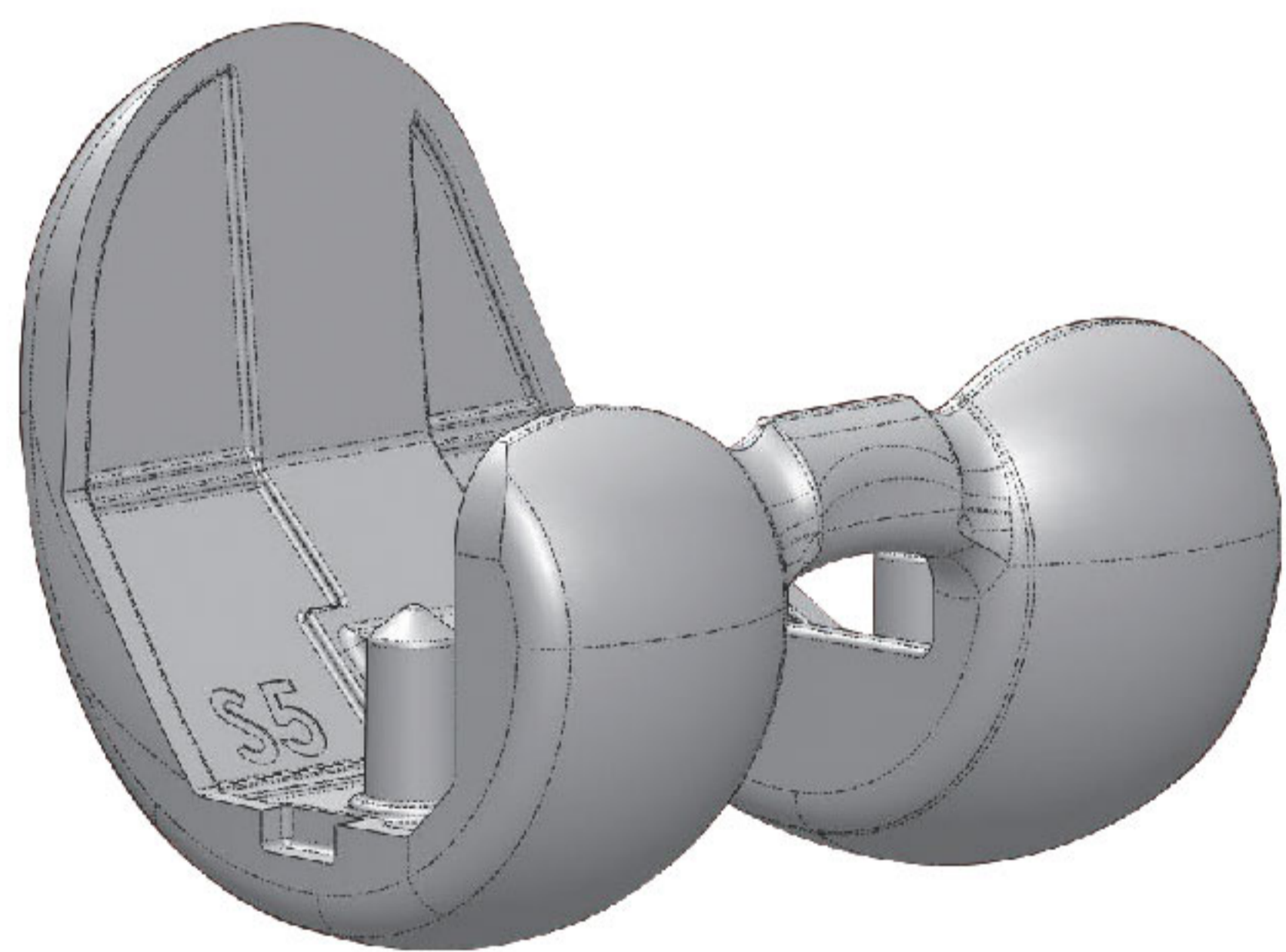


[CR Version]

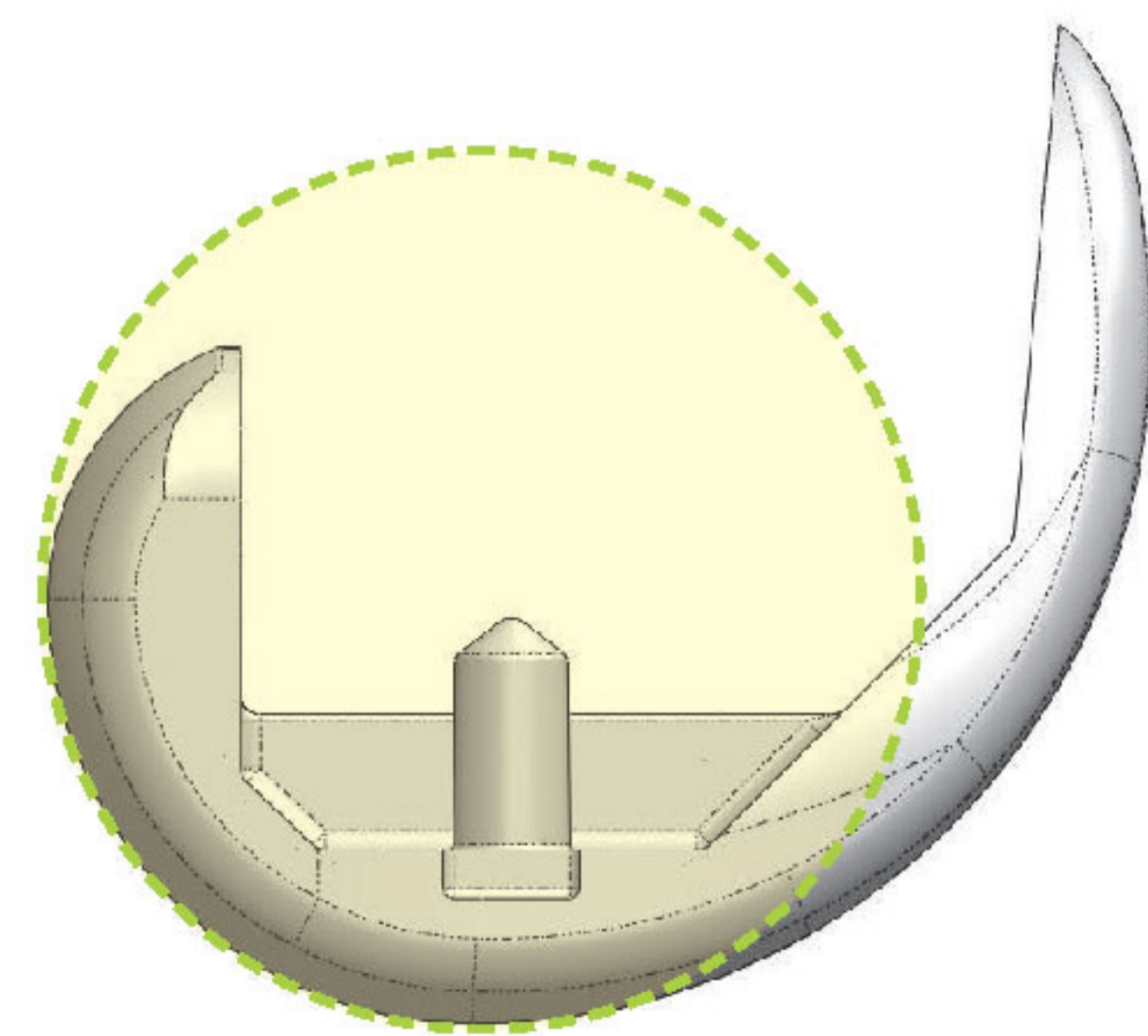
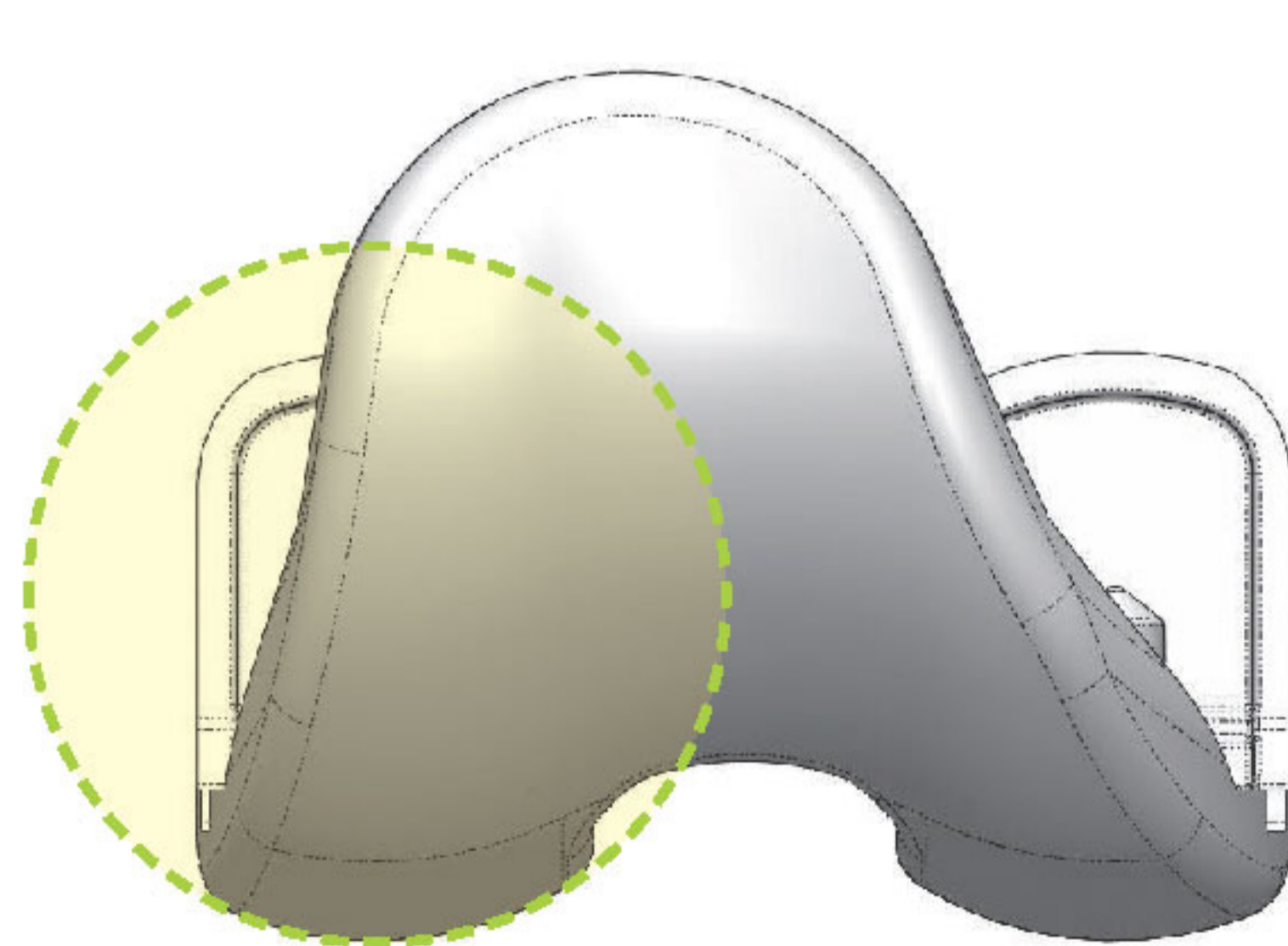


[PS Version]

Anterior flange shape and dimension for the optimal patella tracking.

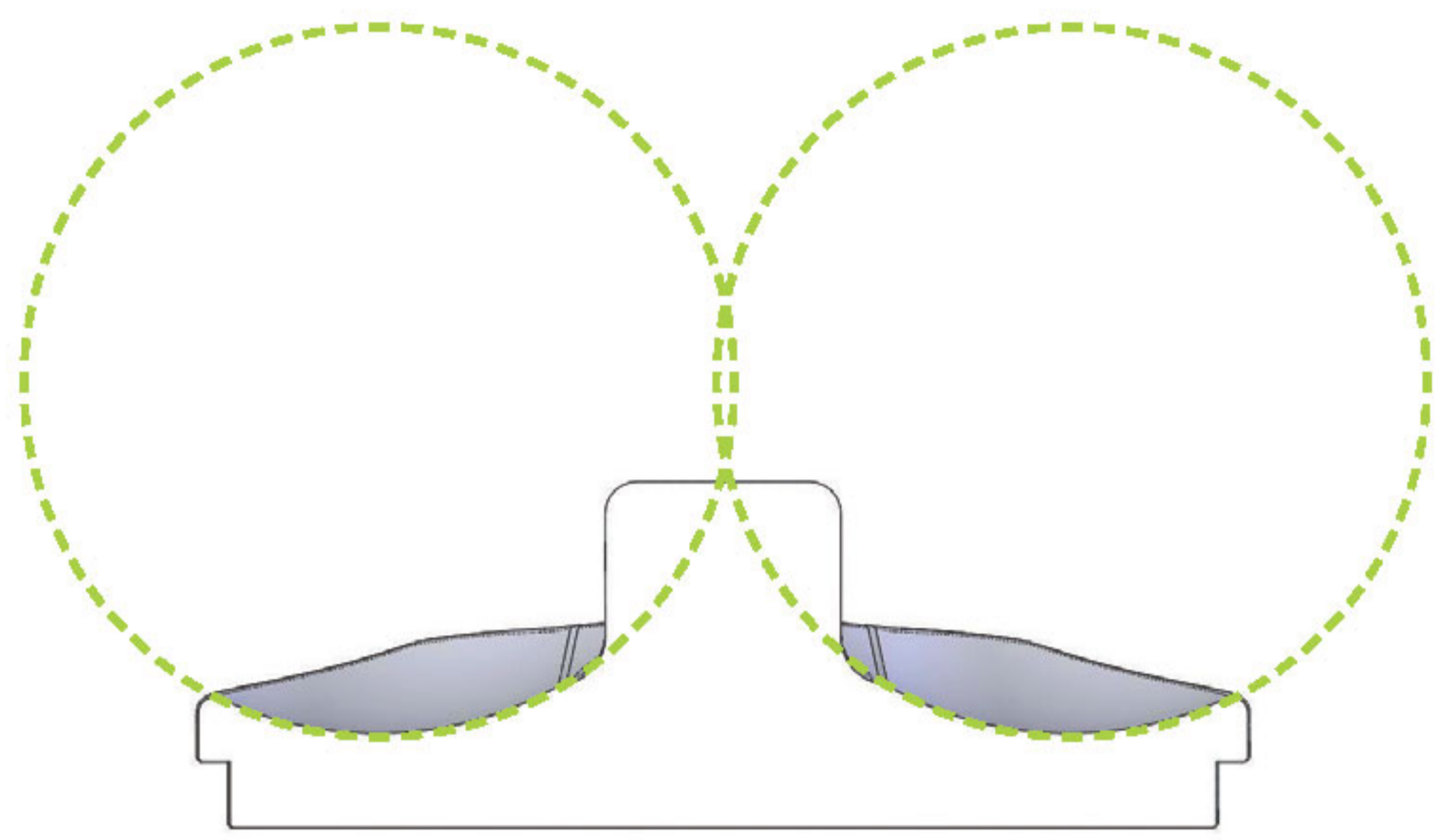


Intercondylar cam design of PS type for reducing the risk of dislocation in deep flexion.



Sphere-shaped articular surface for reducing contact stress and improving stability.

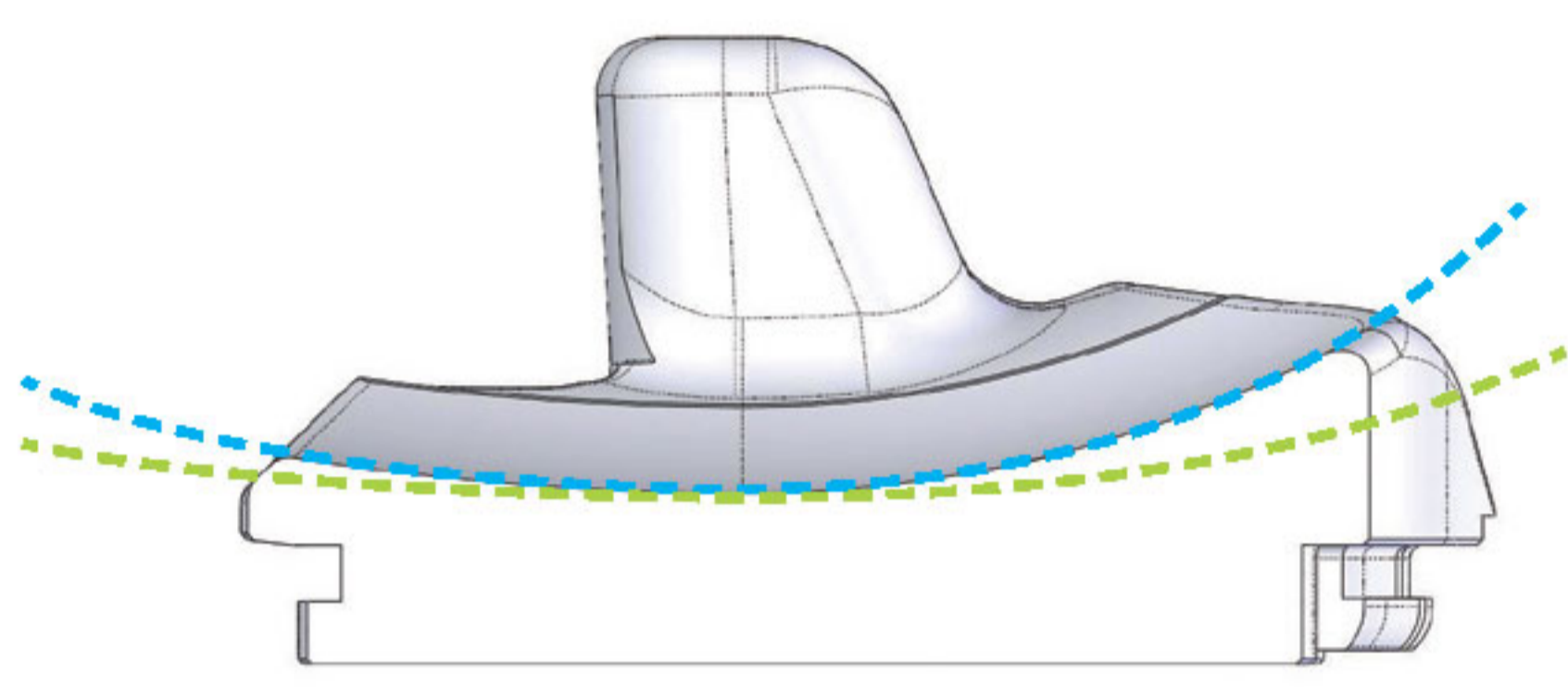
Tibial Insert Fixed Type



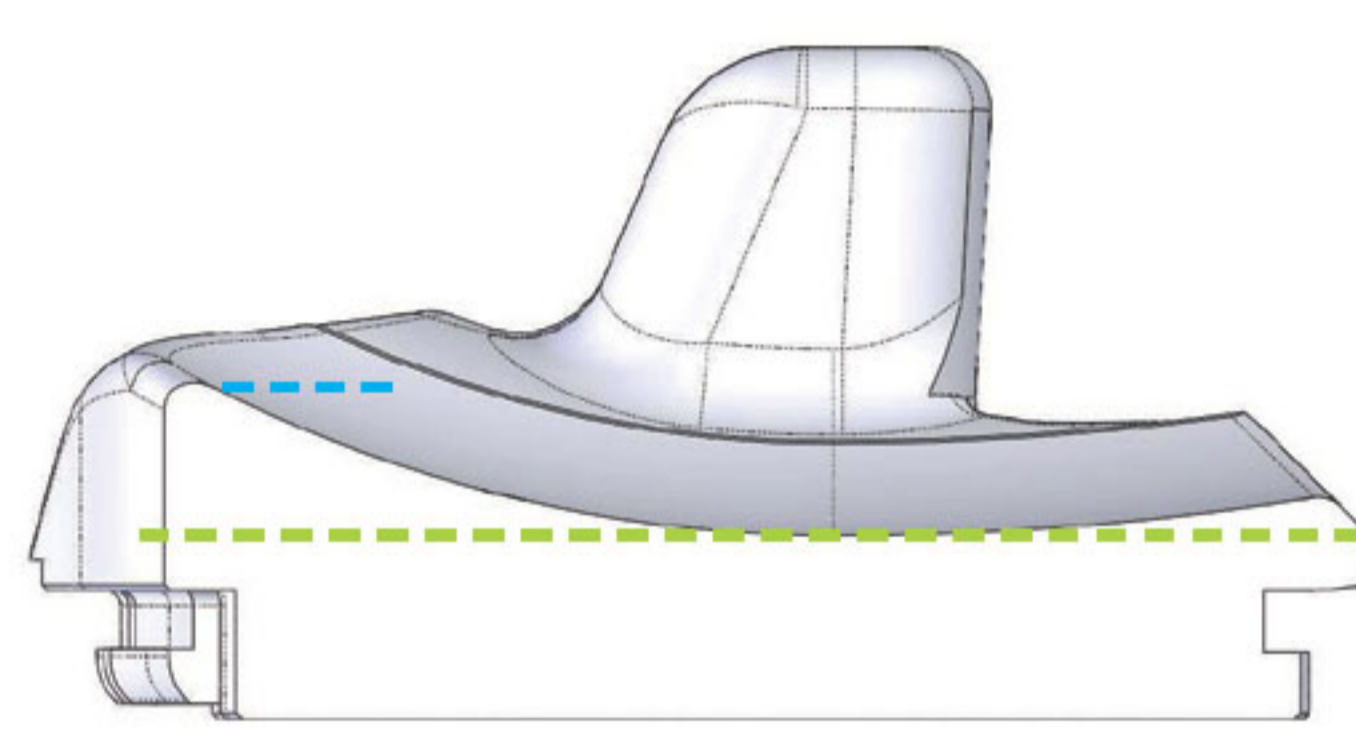
Curved on Curved



High conformity at the frontal plane to improve contact area



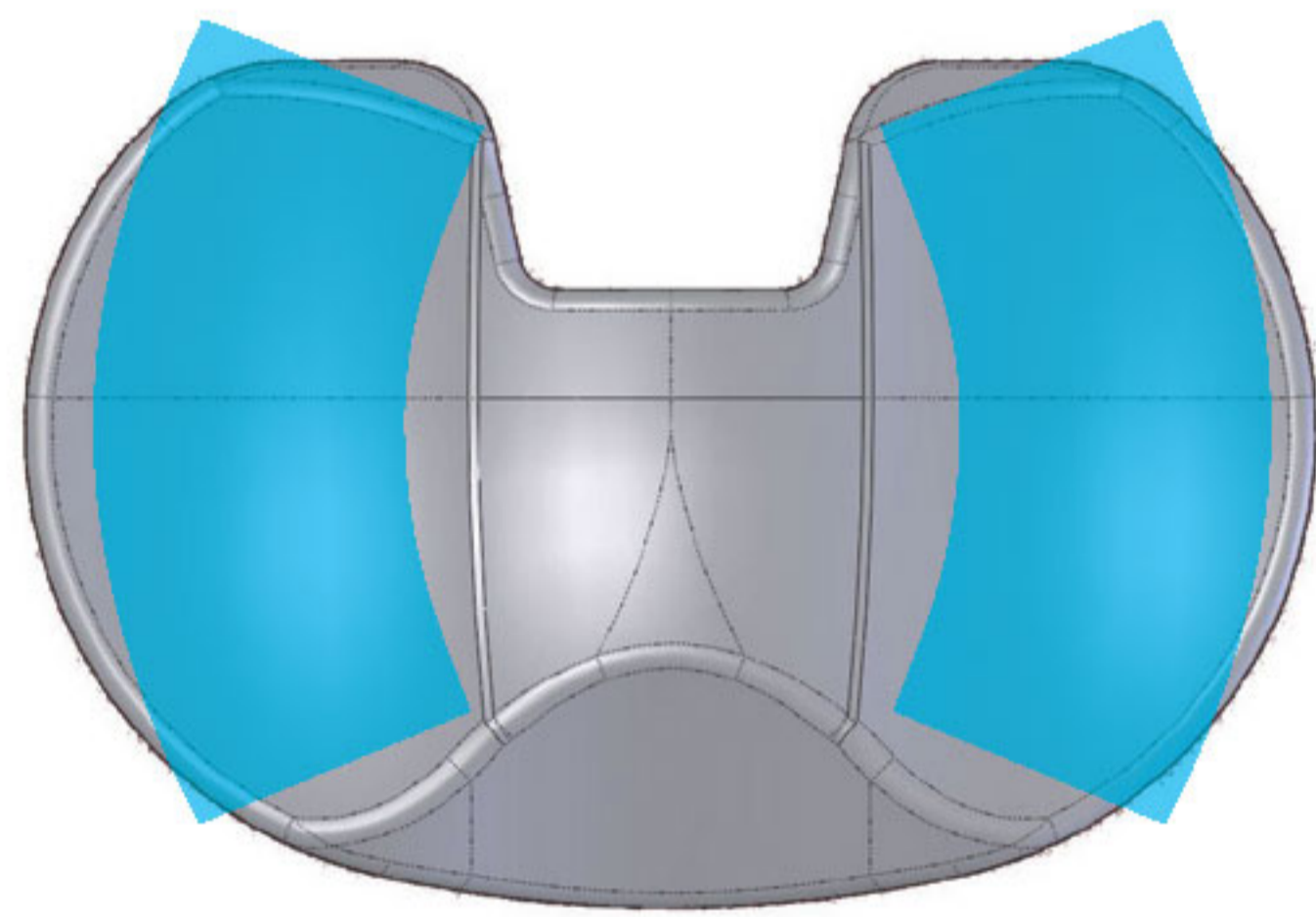
Anterior tibial articular surface :
for joint stability



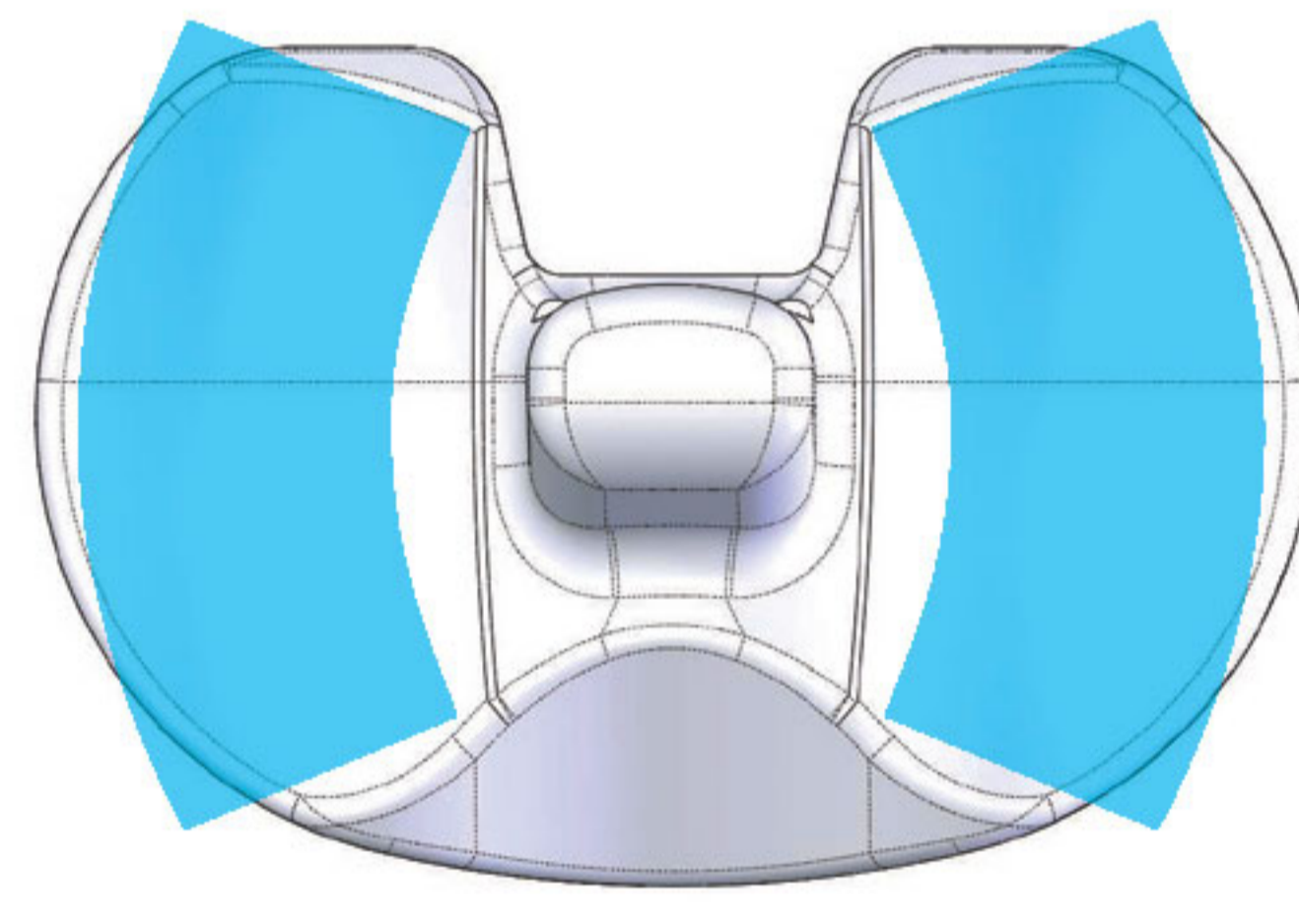
Posterior tibial articular surface :
for joint function (deep flexion)



Double radius at the sagittal plane for improved anterior stability and deep flexion.



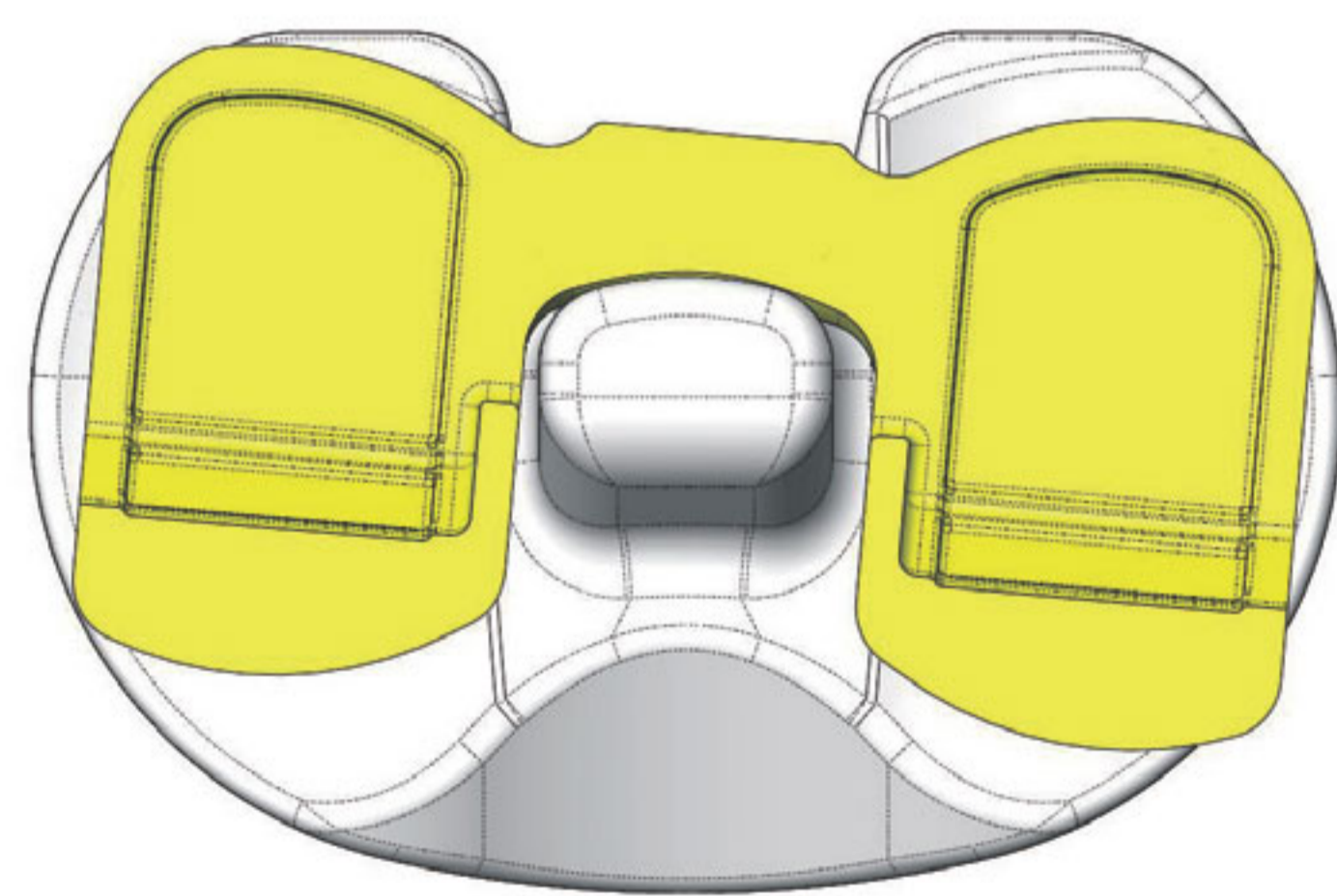
Rotated track
(CR Version)



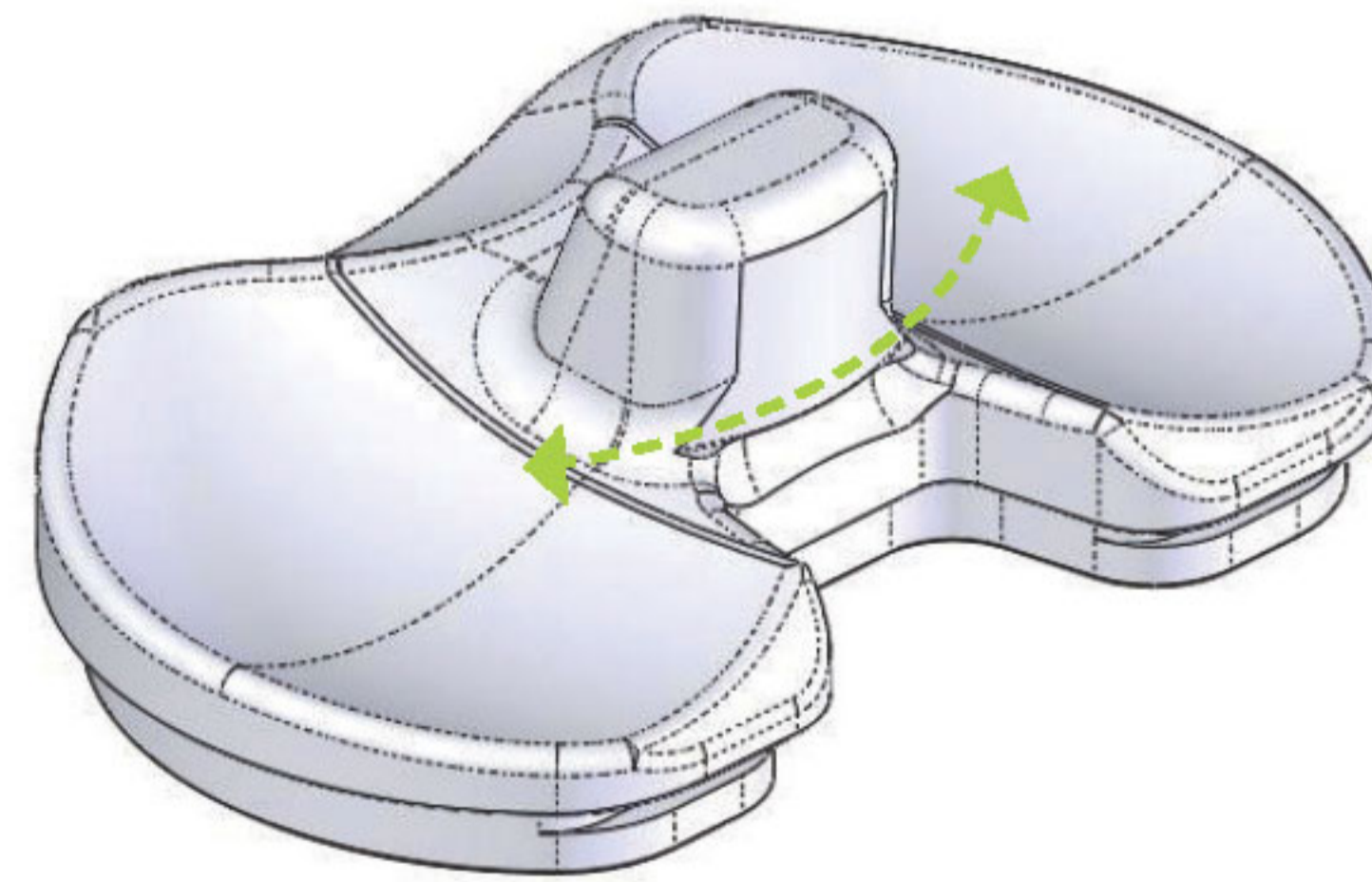
Rotated track
(PS Version)



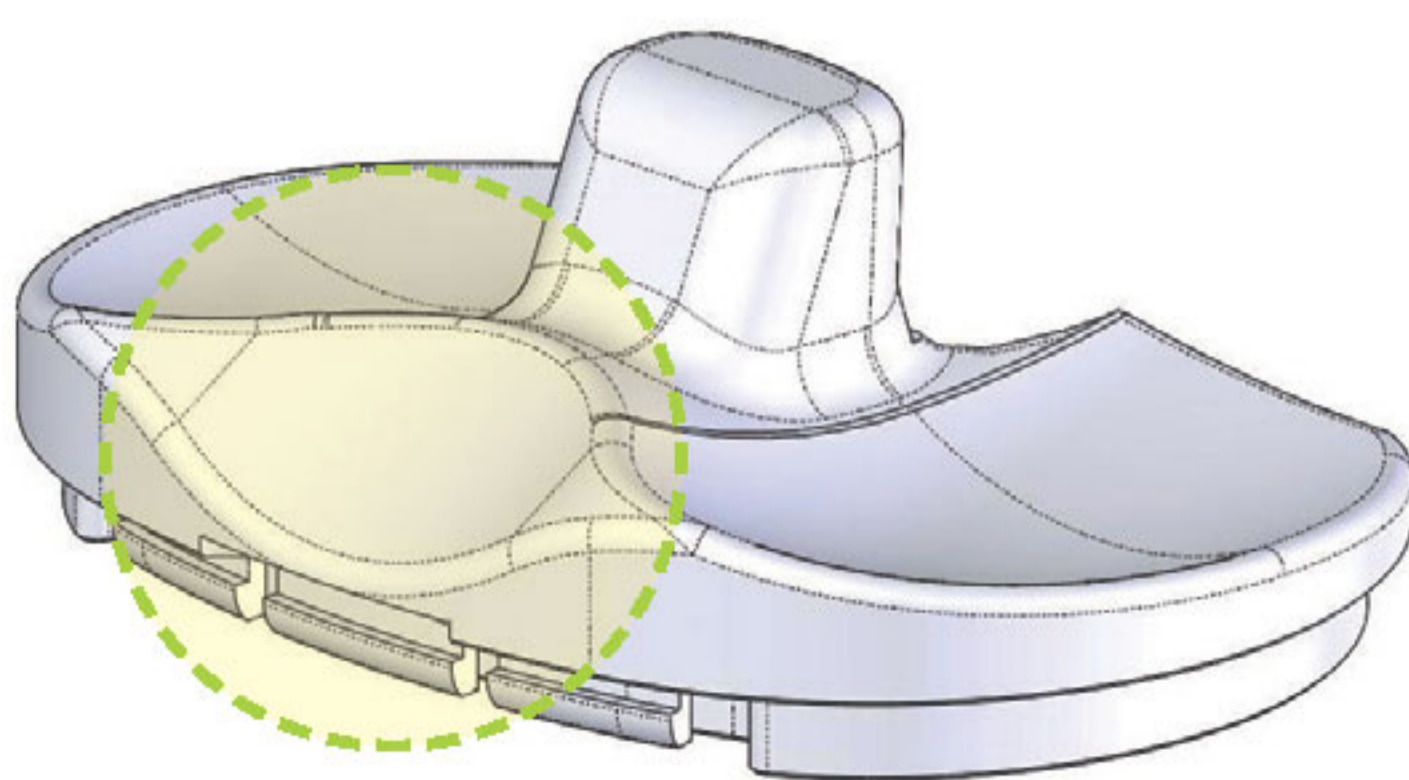
Rotated articular surface considering axial rotation of the femoral component



Rotation



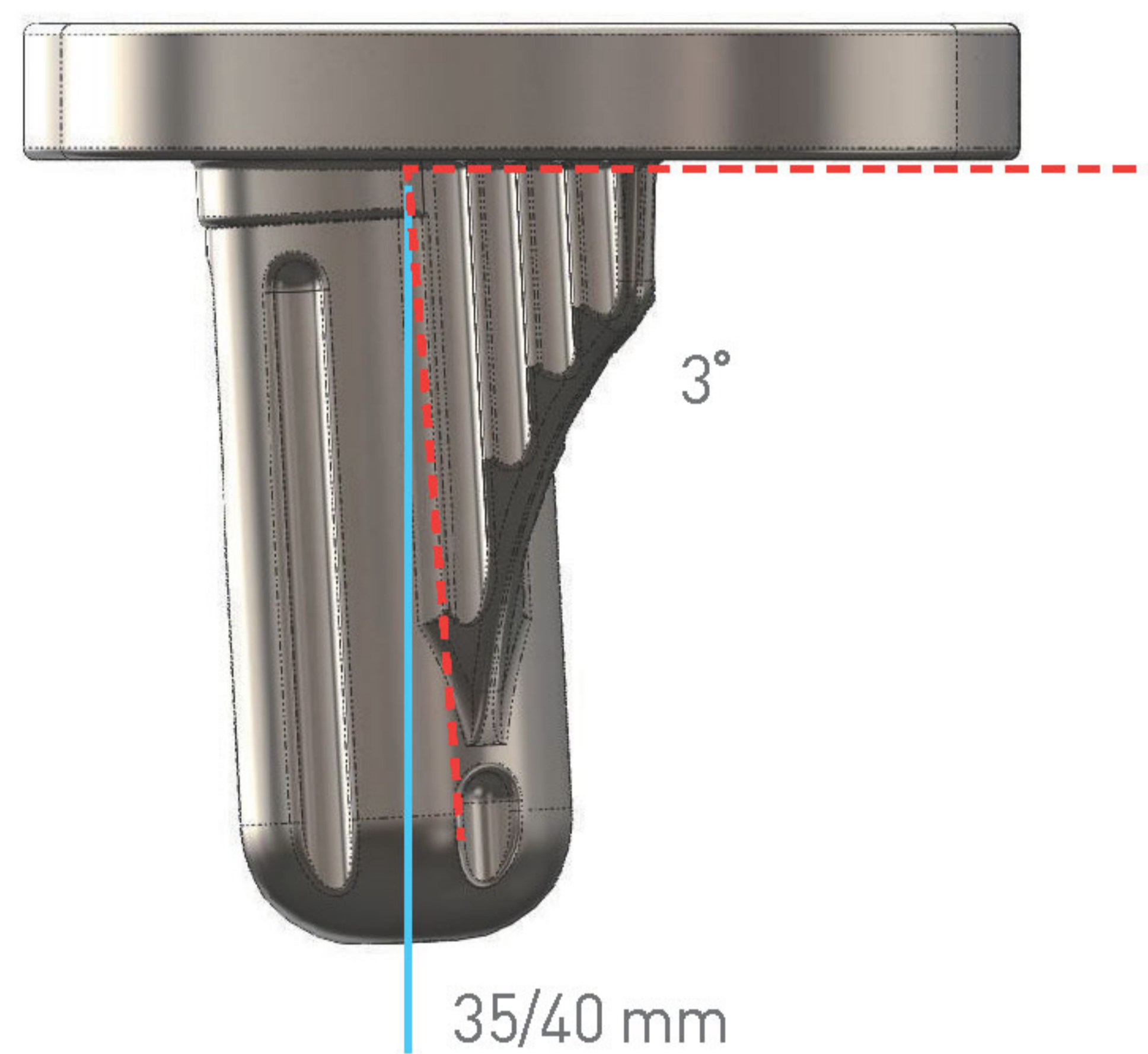
Rounded tibial post to reduce edge loading in the PS type (in the case of PS type)



Improved anterior relief for deep flexion



Tibial Baseplate

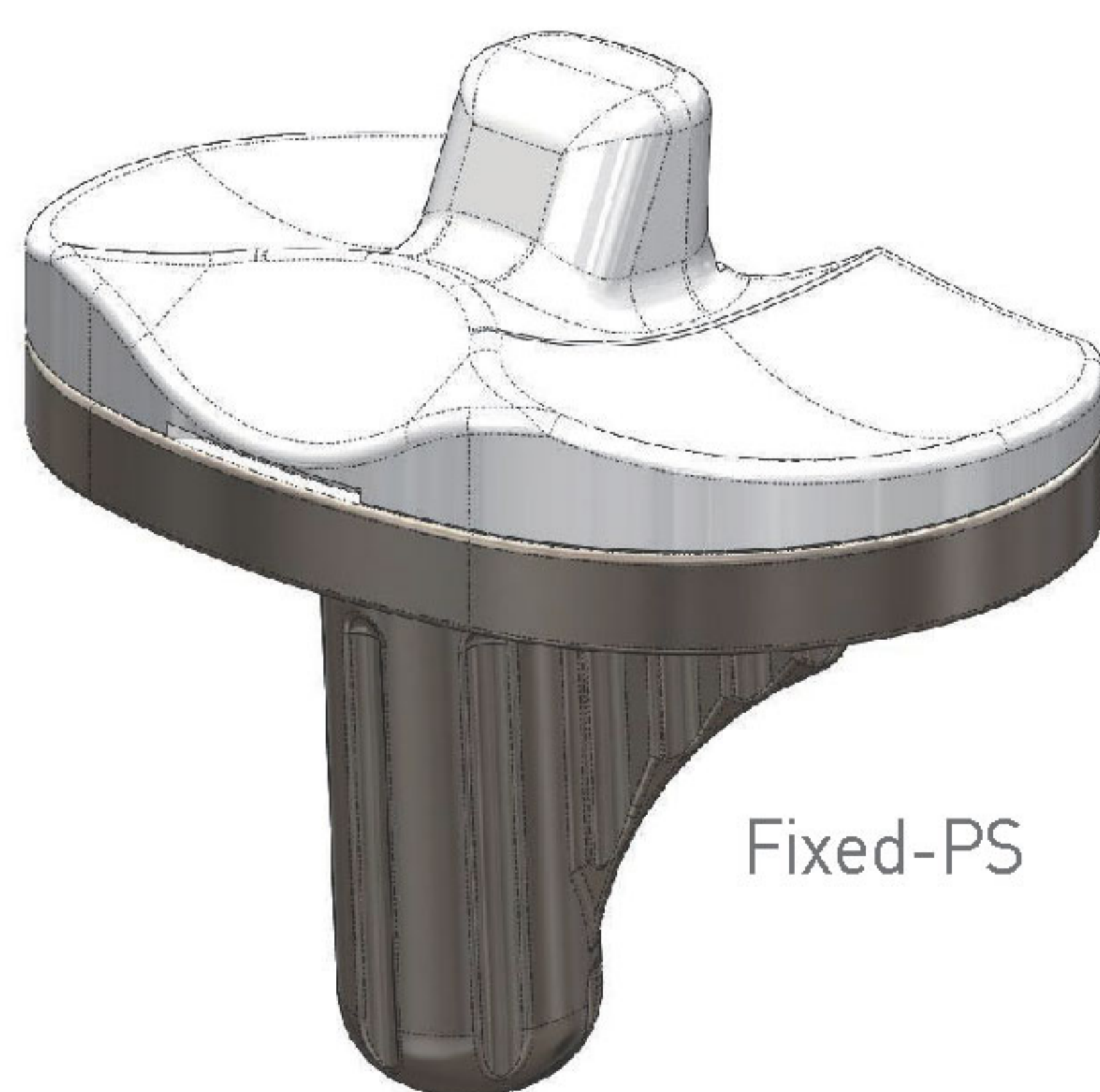


Stem with keel for improving initial implant stability.

Stem with posterior slope aiding in reducing the anterior cortex impingement.



Fixed-CR

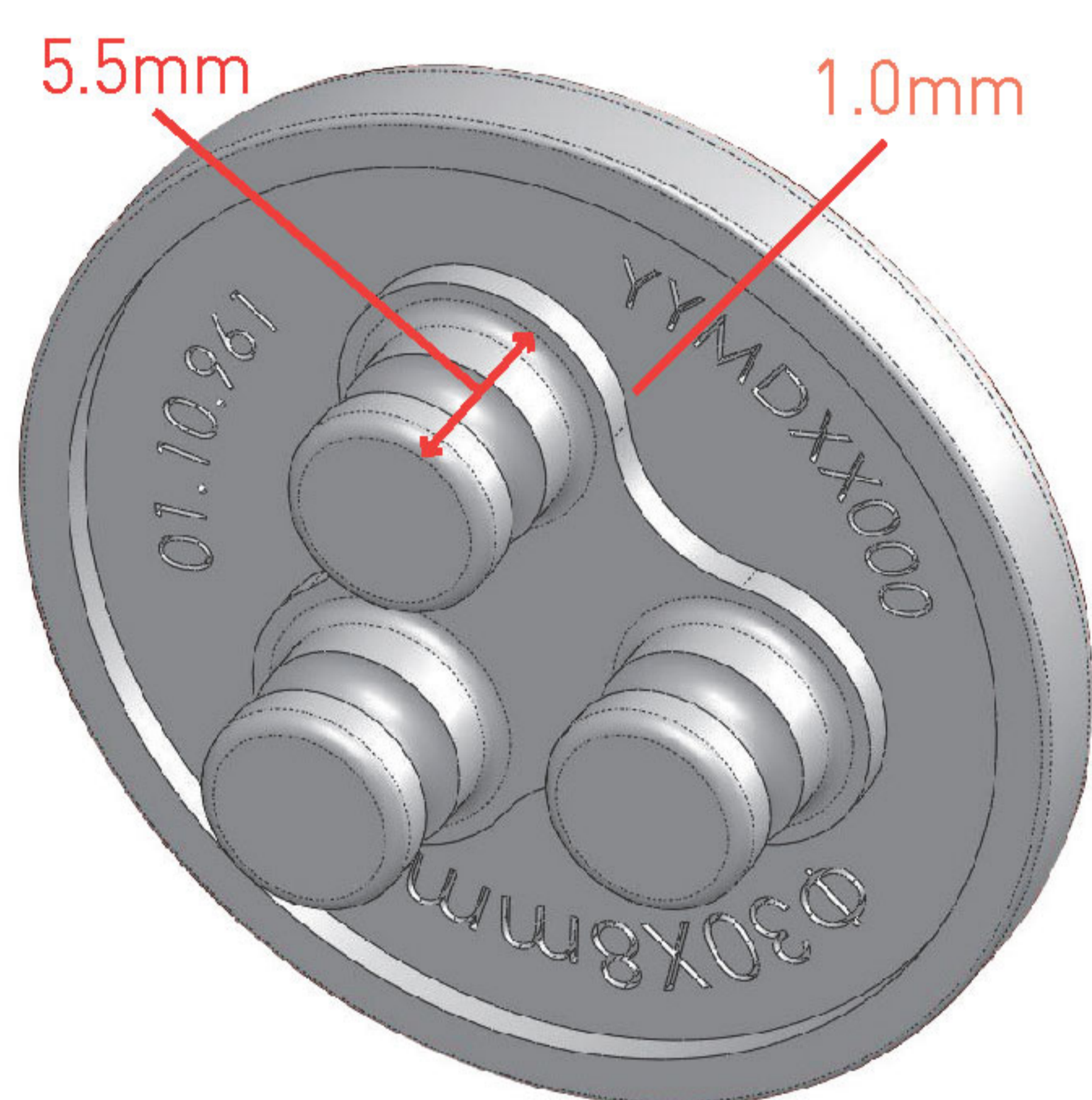


Fixed-PS



Commonality of tibial baseplate: CR/PS in fixed type.

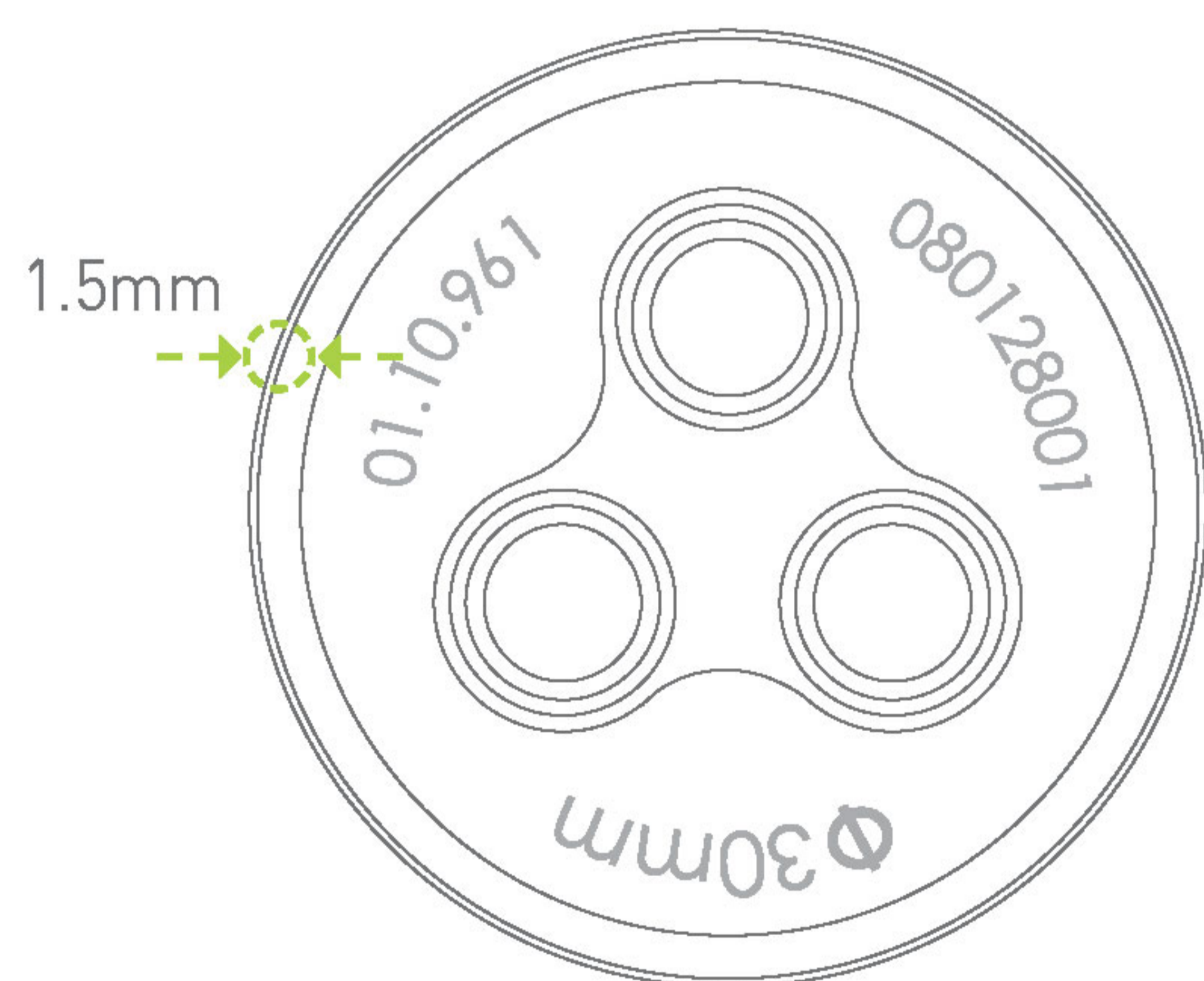
Patellar Component



Cement pockets:

Cement pockets provide optimal condition for cemented fixation.

There is cement pocket which has 1.0mm depth, but which is not deep enough to compromise the strength of the component. There is reinforcement in the center of these pocket and the peripheral rim is maintained with 1.5mm thickness.



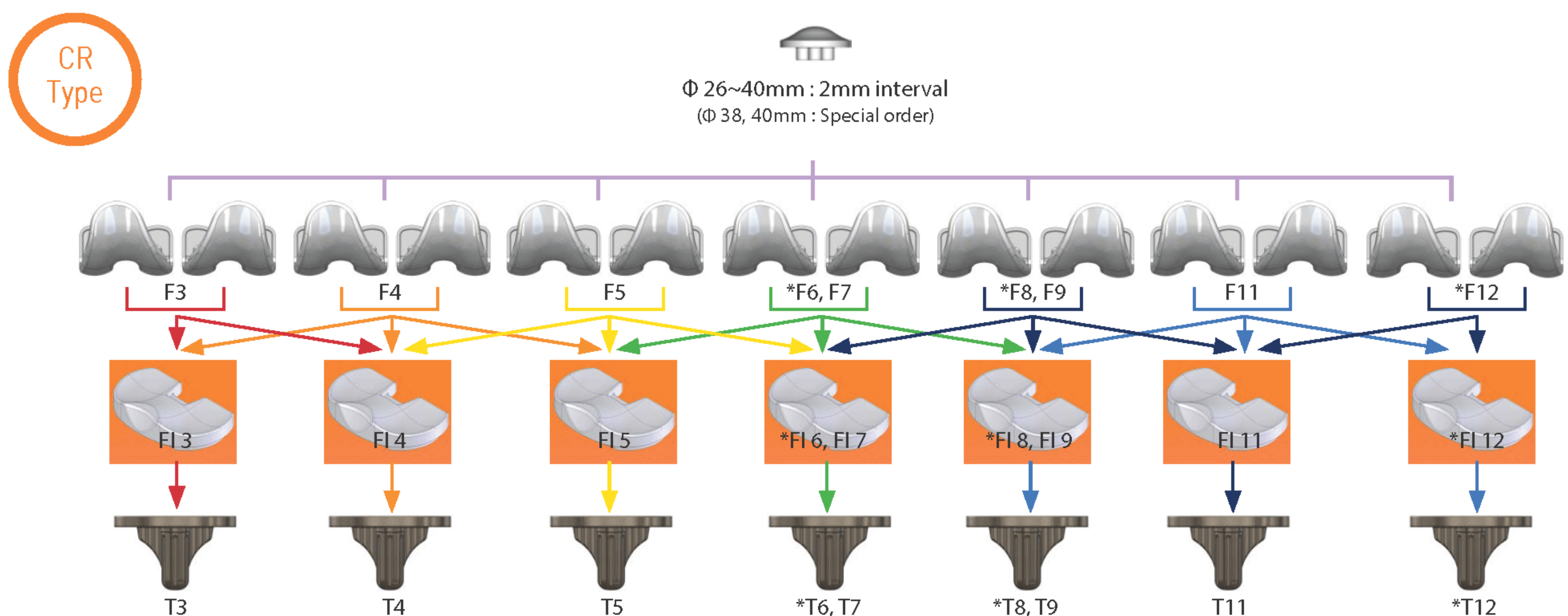
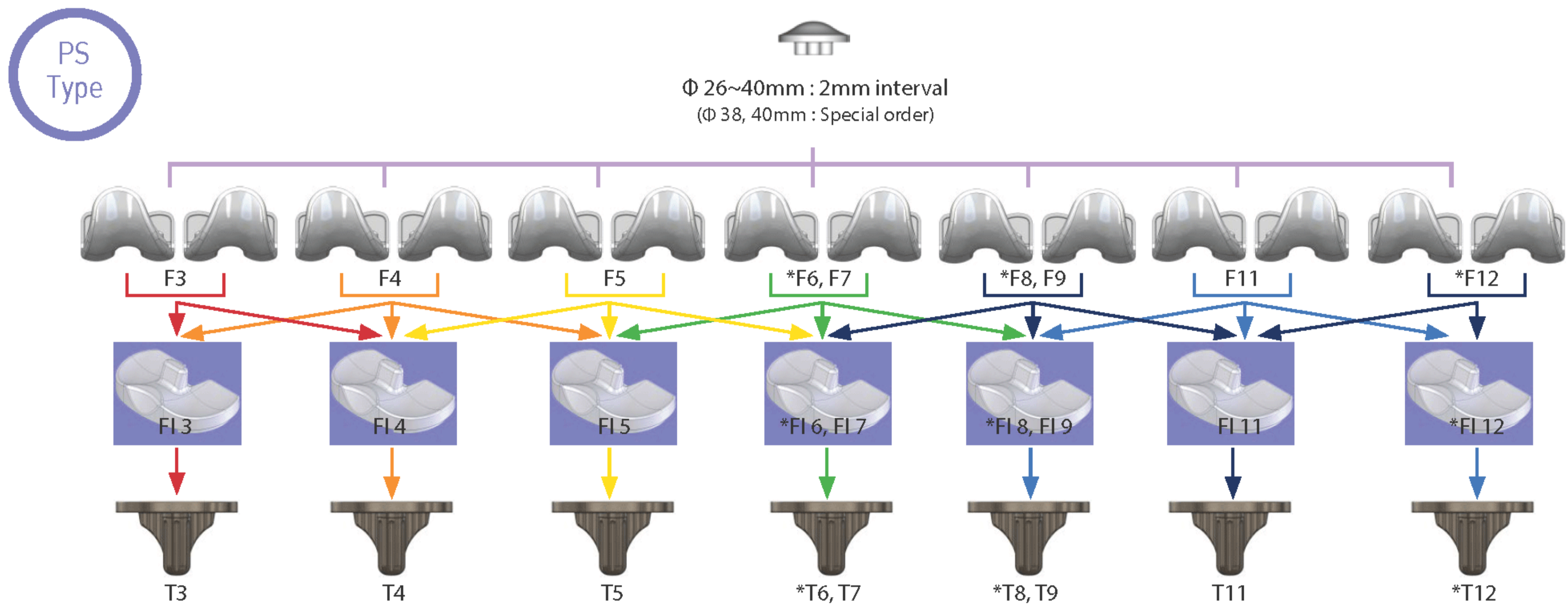
Size Combination Chart

Fixed bearing couple

Tibial inserts	Femoral components								
	F3 51AP/59ML	F4 54AP/62ML	F5 57AP/65ML	*F6 60AP/65ML	F7 60AP/68ML	*F8 63AP/68ML	F9 63AP/71ML	F11 66AP/74ML	*F12 69AP/74ML
Ti3 40AP/61ML	●								
Ti4 42AP/64ML	●	●							
Ti5 44AP/67ML		●	●						
*Ti6 45AP/70ML			●	●	●	●	●		
Ti7 46AP/72ML			●	●	●	●	●		
*Ti8 48AP/72ML				●	●	●	●	●	
Ti9 48AP/74ML				●	●	●	●	●	
Ti11 50AP/76ML						●	●	●	●
*Ti12 52AP/81ML								●	●

* Special order

Size Combination Chart : Fixed type



* Special order

Implant Ordering Information

Lospa Femoral Component (CR)

Part No.		Size	AP/ML (mm)
Left	Right		
01.10.003	01.10.023	3	51/59
01.10.004	01.10.024	4	54/62
01.10.005	01.10.025	5	57/65
01.10.006	01.10.026	6*	60/65
01.10.007	01.10.027	7	60/68
01.10.008	01.10.028	8*	63/68
01.10.009	01.10.029	9	63/71
01.10.00B	01.10.02B	11	66/74
01.10.00C	01.10.02C	12*	69/74

Lospa Femoral Component (PS)

Part No.		Size	AP/ML (mm)
Left	Right		
01.10.043	01.10.063	3	51/59
01.10.044	01.10.064	4	54/62
01.10.045	01.10.065	5	57/65
01.10.046	01.10.066	6*	60/65
01.10.047	01.10.067	7	60/68
01.10.048	01.10.068	8*	63/68
01.10.049	01.10.069	9	63/71
01.10.04B	01.10.06B	11	66/74
01.10.04C	01.10.06C	12*	69/74

Lospa Tibial Baseplate

Part No.	Size	L (mm)	AP/ML (mm)
01.10.503	3	35	40/61
01.10.504	4		42/64
01.10.505	5		44/67
01.10.506	6*		45/70
01.10.507	7		46/72
01.10.508	8*	40	48/72
01.10.509	9		48/74
01.10.50B	11		50/76
01.10.50C	12*		52/81

Lospa Patellar Component (Dome)

Part No.	Size (mm)	Thickness (T) (mm)
01.10.921	26	8
01.10.941	28	8
01.10.961	30	8
01.10.981	32	8
01.10.9A2	34	9
01.10.9C3	36	10
01.10.9EC	38	10*
01.10.9GC	40	10*

Lospa Tibial Insert (CR)

Part No.	Size	T (mm)	AP/ML (mm)
01.10.132	3	10	40/61
01.10.134		12	
01.10.136		14	
01.10.138		16	
01.10.13A		18	
01.10.13C		20	
01.10.13E		22*	
01.10.13G	24*		
01.10.13I	26*		
01.10.142	4	10	42/64
01.10.144		12	
01.10.146		14	
01.10.148		16	
01.10.14A		18	
01.10.14C		20	
01.10.14E		22*	
01.10.14G	24*		
01.10.14I	26*		
01.10.152	5	10	44/67
01.10.154		12	
01.10.156		14	
01.10.158		16	
01.10.15A		18	
01.10.15C		20	
01.10.15E		22*	
01.10.15G	24*		
01.10.15I	26*		
01.10.162	6*	10	45/70
01.10.164		12	
01.10.166		14	
01.10.168		16	
01.10.16A		18	
01.10.16C		20	
01.10.16E		22*	
01.10.16G	24*		
01.10.16I	26*		
01.10.172	7	10	46/72
01.10.174		12	
01.10.176		14	
01.10.178		16	
01.10.17A		18	
01.10.17C		20	
01.10.17E		22*	
01.10.17G	24*		
01.10.17I	26*		
01.10.182	8*	10	48/72
01.10.184		12	
01.10.186		14	
01.10.188		16	
01.10.18A		18	
01.10.18C		20	
01.10.18E		22*	
01.10.18G	24*		
01.10.18I	26*		
01.10.192	9	10	48/74
01.10.194		12	
01.10.196		14	
01.10.198		16	
01.10.19A		18	
01.10.19C		20	
01.10.19E		22*	
01.10.19G	24*		
01.10.19I	26*		
01.10.1B2	11	10	50/76
01.10.1B4		12	
01.10.1B6		14	
01.10.1B8		16	
01.10.1BA		18	
01.10.1BC		20	
01.10.1BE		22*	
01.10.1BG	24*		
01.10.1BI	26*		

Part No.	Size	T (mm)	AP/ML (mm)
01.10.1C2	12*	10	52/81
01.10.1C4		12	
01.10.1C6		14	
01.10.1C8		16	
01.10.1CA		18	
01.10.1CC		20	
01.10.1CE		22*	
01.10.1CG		24*	
01.10.1CI		26*	

Lospa Tibial Insert (PS)

Part No.	Size	T (mm)	AP/ML (mm)
01.10.232	3	10	40/61
01.10.234		12	
01.10.236		14	
01.10.238		16	
01.10.23A		18	
01.10.23C		20	
01.10.23E		22*	
01.10.23G		24*	
01.10.23I		26*	
01.10.242		4	
01.10.244	12		
01.10.246	14		
01.10.248	16		
01.10.24A	18		
01.10.24C	20		
01.10.24E	22*		
01.10.24G	24*		
01.10.24I	26*		
01.10.252	5		10
01.10.254		12	
01.10.256		14	
01.10.258		16	
01.10.25A		18	
01.10.25C		20	
01.10.25E		22*	
01.10.25G		24*	
01.10.25I		26*	
01.10.262		6*	10
01.10.264	12		
01.10.266	14		
01.10.268	16		
01.10.26A	18		
01.10.26C	20		
01.10.26E	22*		
01.10.26G	24*		
01.10.26I	26*		
01.10.272	7		10
01.10.274		12	
01.10.276		14	
01.10.278		16	
01.10.27A		18	
01.10.27C		20	
01.10.27E		22*	
01.10.27G		24*	
01.10.27I		26*	

*: Special order

Part No.	Size	T (mm)	AP/ML (mm)
01.10.282	8*	10	48/72
01.10.284		12	
01.10.286		14	
01.10.288		16	
01.10.28A		18	
01.10.28C		20	
01.10.28E		22*	
01.10.28G	24*		
01.10.28I	26*		
01.10.292	9	10	48/74
01.10.294		12	
01.10.296		14	
01.10.298		16	
01.10.29A		18	
01.10.29C		20	
01.10.29E		22*	
01.10.29G	24*		
01.10.29I	26*		
01.10.2B2	11	10	50/76
01.10.2B4		12	
01.10.2B6		14	
01.10.2B8		16	
01.10.2BA		18	
01.10.2BC		20	
01.10.2BE		22*	
01.10.2BG	24*		
01.10.2BI	26*		
01.10.2C2	12*	10	52/81
01.10.2C4		12	
01.10.2C6		14	
01.10.2C8		16	
01.10.2CA		18	
01.10.2CC		20	
01.10.2CE		22*	
01.10.2CG		24*	
01.10.2CI		26*	



Manufacturing Plant 12, Yeongsanhong 1-gil, Ijang-myeon, Seobuk-gu, Cheonan-si, Chungcheongnam-do, Korea | TEL 82-41-585-7114 | FAX 82-41-585-7113
Seoul Office 483, Gangnam-daero, Seocho-gu, Seoul, Korea | TEL 82-2-3445-5492-5 | FAX 82-2-3445-5467,5497

Corentec America 17305 Von Karman Ave. Suite 114, Irvine, CA 92614, USA | TEL 1-949-379-6227 | FAX 1-949-387-5716

EC Representative : Emergo Europe Molenstraat 15, 2513 BH, The Hague, The Netherlands | TEL 31-70-345-8570 | FAX 31-70-346-7299

www.corentec.com

Distributor