

ENDO



ENDO DRS2

Digital Radiography System

<https://endo.id>

ENDO DRS2

Digital Radiography System

More than just lightweight

ENDO DRS2 is an all-around and affordable mobile X-ray system, that meets the needs of various medical situations. Highly intergrated and compact design make the device lighter and smarter, and a high-performance imaging system ensures imaging is faster and clearer. It offers you exceptional quality and operation, which enhances your daily productivity and comfort of use.



High power output



Lightweight and compact structure



High SID



Large-capacity Li-ion battery



Rotatable column



Novel folding arm



17-inch touch screen



Wireless detector



ENDO DRS2

The compact and light system enables effortless movement on your route to each patient.



Lightweight

Combining integration technology with innovative material, ENDO DRS2 is lightweight and maximizes your satisfaction during movement.



Slim body

The footprint is small thanks to the compact design, which allows for easy movement and turning even in tight spaces, such as crowded emergency rooms, narrow corridors and bedsides.



Clear field of vision

During transport, the folding arm offers a clear view of your surroundings to protect the safety of personnel and the facility.

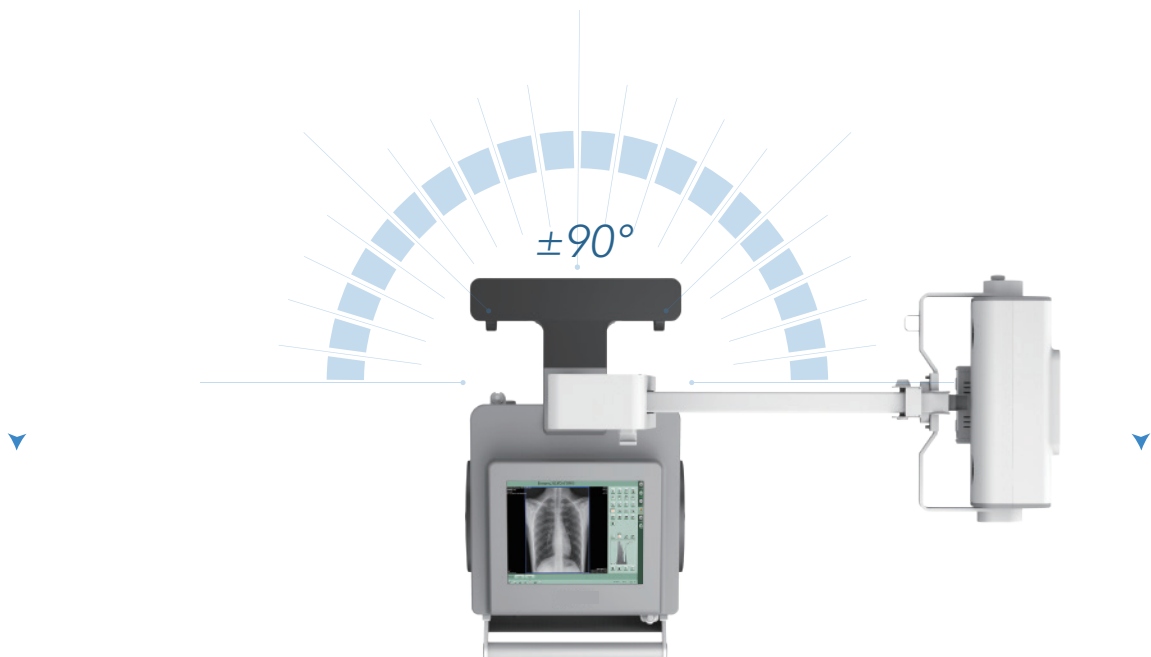


Seamless Workflow

ENDO DRS2 is designed for great maneuverability which helps technician focus more on patient care and speed up productivity.

Effortless positioning

Wide coverage provides technicians with more flexibility and efficiency for positioning. The rotatable column makes it much easier to maneuver the tube head in extremely tight spaces.



Ultra-long working time

The high-performance Li-ion battery enables quick charge and offers long standby and operation time. Also, plug-in exposure is available, which ensures continuous and efficient work.



17-inch touchscreen

The capacitive touchscreen allows for setting examination parameters and reading image details easily.

High SID

Up to 2 meters SID meets various exposure needs of the body.



17-inch touchscreen

Distance up to 30 meters ensures the technician's safety.

Clear and Accurate

Powerful imaging chain



The high power facilitates stable and exceptional X-rays.



A high-speed rotating anode accelerates heat dissipation, allowing continuous working for a long time.



The X-ray tube, separated from the generator, has an excellent performance in cooling and longer service life.

High-definition detector

With advanced detectors, ENDO DRS2 delivers excellent images fast. It gives you the clear, detailed, high-contrast images you need for better decision-making at a low dose.



High-resolution



Csl technology



Large size



WIFI connection



Lightweight



Multiple options

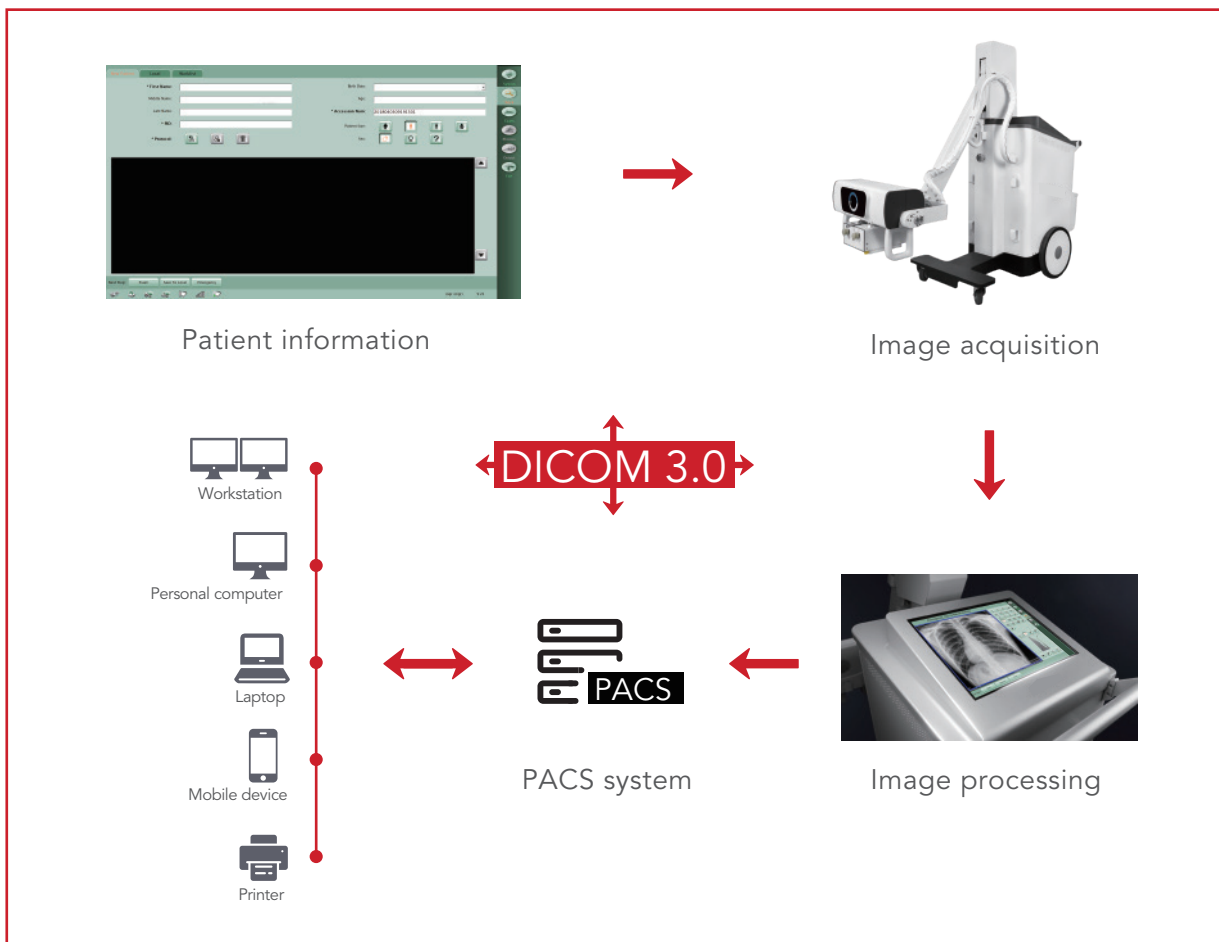


2 Designs Option



A total solution for medical image workstation

- Acquiring patient information from HIS/RIS
- Emergency mode for quick registration
- Multi APRs for preset parameters
- Compatibility with all PACS for image storage, retrieval and edit



- The imaging processing improves the image quality and enhances the confidence for diagnosis.



Fast imaging



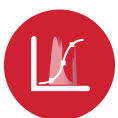
Noise reduction



Frequency division



Imaging enhancement

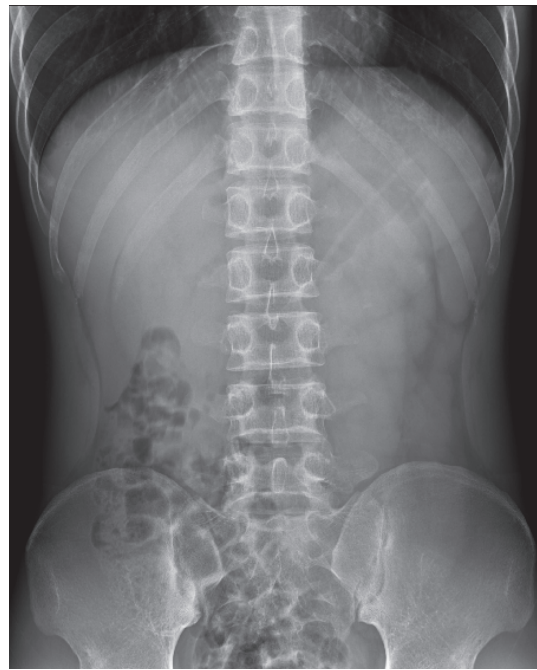
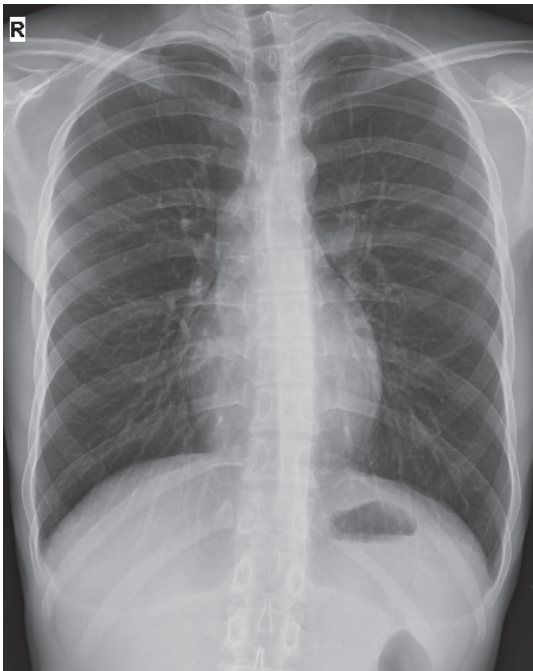


LUT curve



Balanced processing

Clinical images



ENDO

 Jalan Raya Menganti 14 Kedurus, Surabaya 60223
Jawa Timur, Indonesia

 62-31-7673636

 62-31-7673737

 0800 . 177 . ENDO (3636)

 info@endo.id

 <https://endo.id>