

aeomed
Safety Quality Value Innovation



Aegistab OP750

Manual Operating Table

- Main structure of operating table is made of high-grade steel.
- Base, column casing, accessories rails, and metal accessories are made of stainless steel.
- Stable structure, nice shape, easy to clean

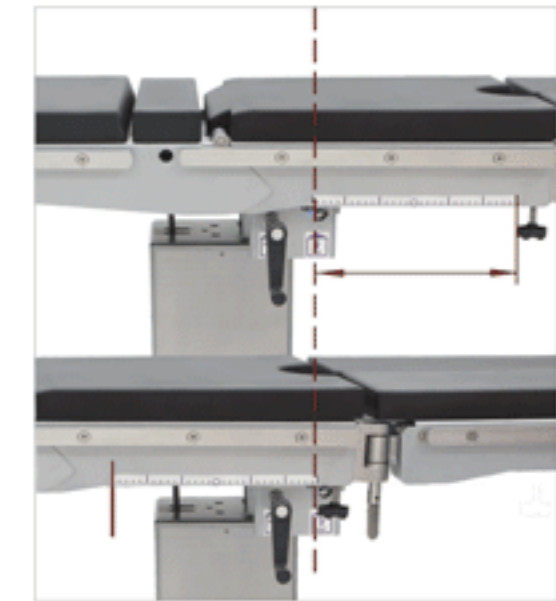
①

- Functional displays below are controlled by import cylinder: head plate up and down, table trendelenburg and reverse trendelenburg, back plate up and down.
- Easy to operate, accurately and stably positioning
- Operation focuses on head without affecting surgery.



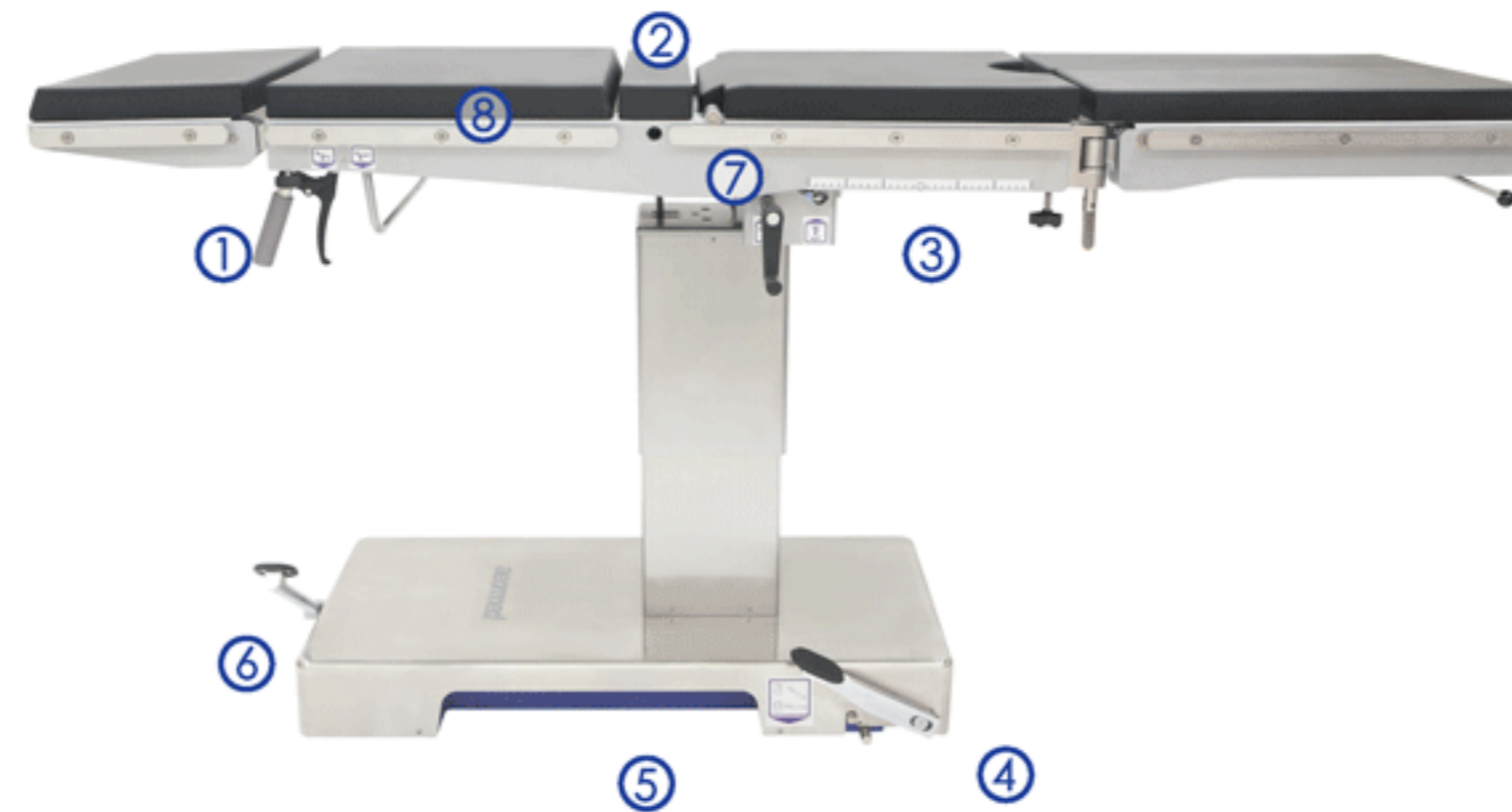
②

- Built-in kidney-bridge can be elevated up to 110mm.
- Provides displays requested by kidney and gallbladder surgery



③

- Mattress made by high density PU foam is waterproof.
- High elasticity and comfort
- Removable design, nice shape, easy to clean, excellent perspective of X-ray



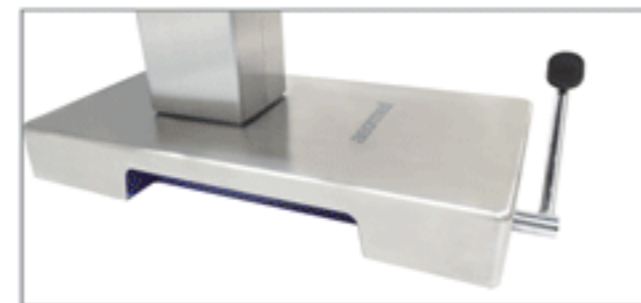
③

- Optional table longitudinal shift (up to 300mm) provides big enough space for X-ray work.



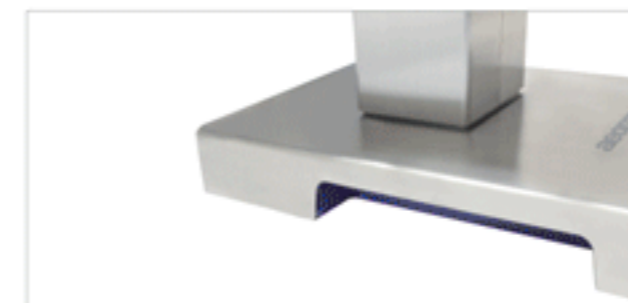
⑦

- Built-in X-ray film rail layer meets shoot request for different body parts during surgery.



⑥

- Operating table up and down controlled by foot-lift pump, an integration structure of oil pump, fuel tank and crank
- The integrate pump provides high stability of table during up and down operation and excellent carrying capacity.
- Easy to operate, time-saving design



⑤

- Reserved space for feet in base meets close working on operating table while ensuring stability.

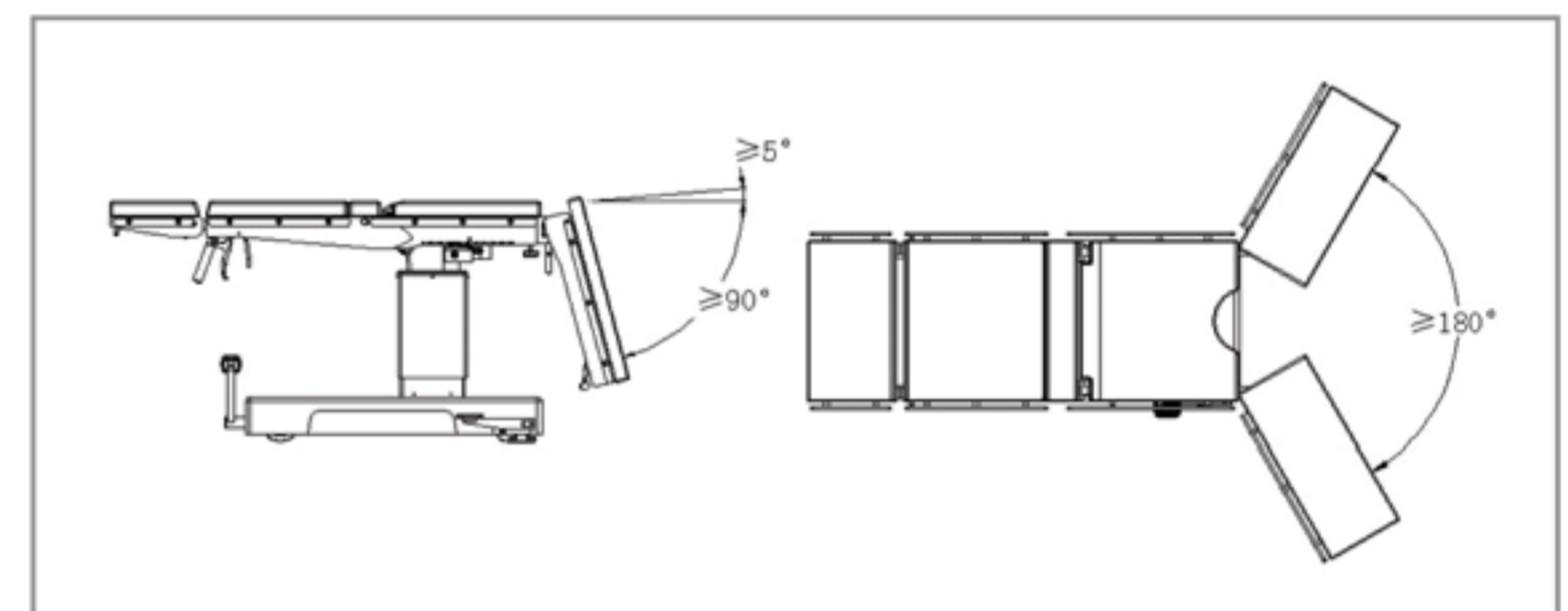
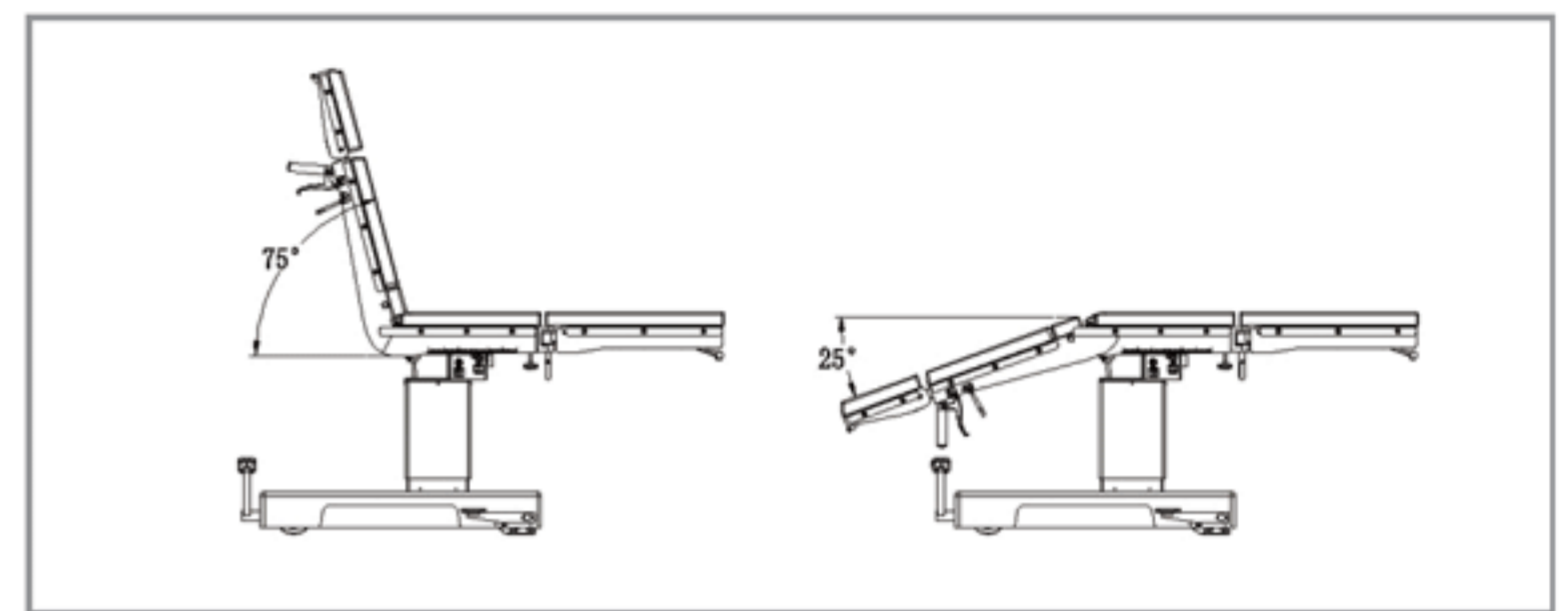
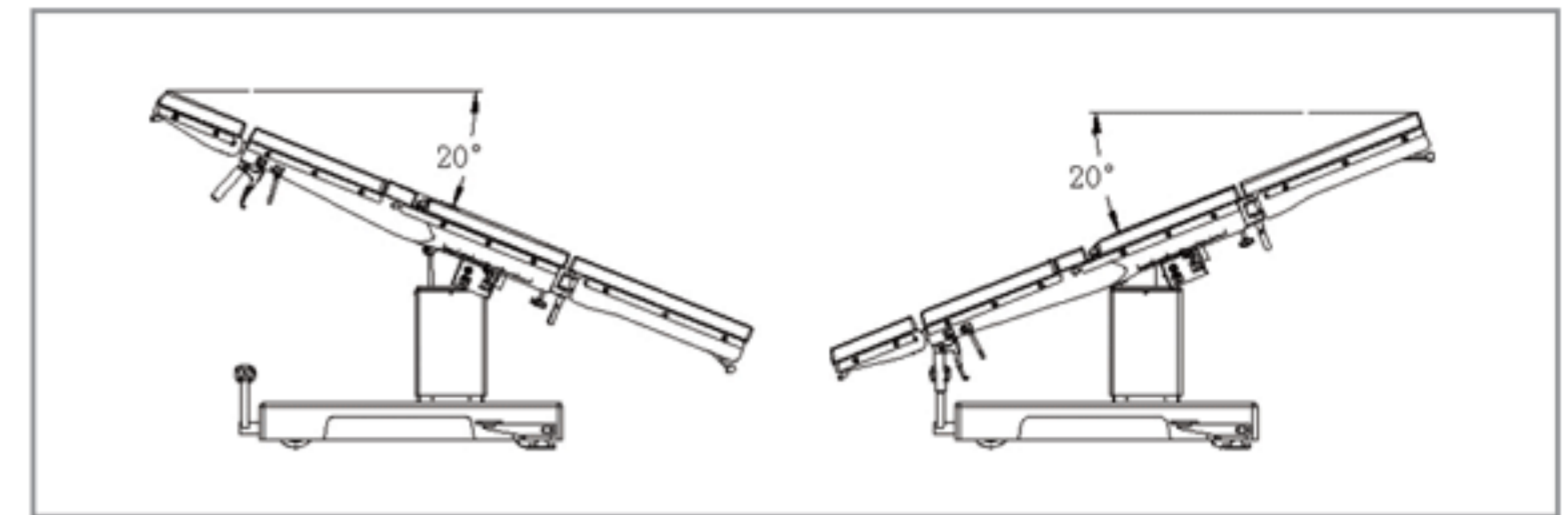
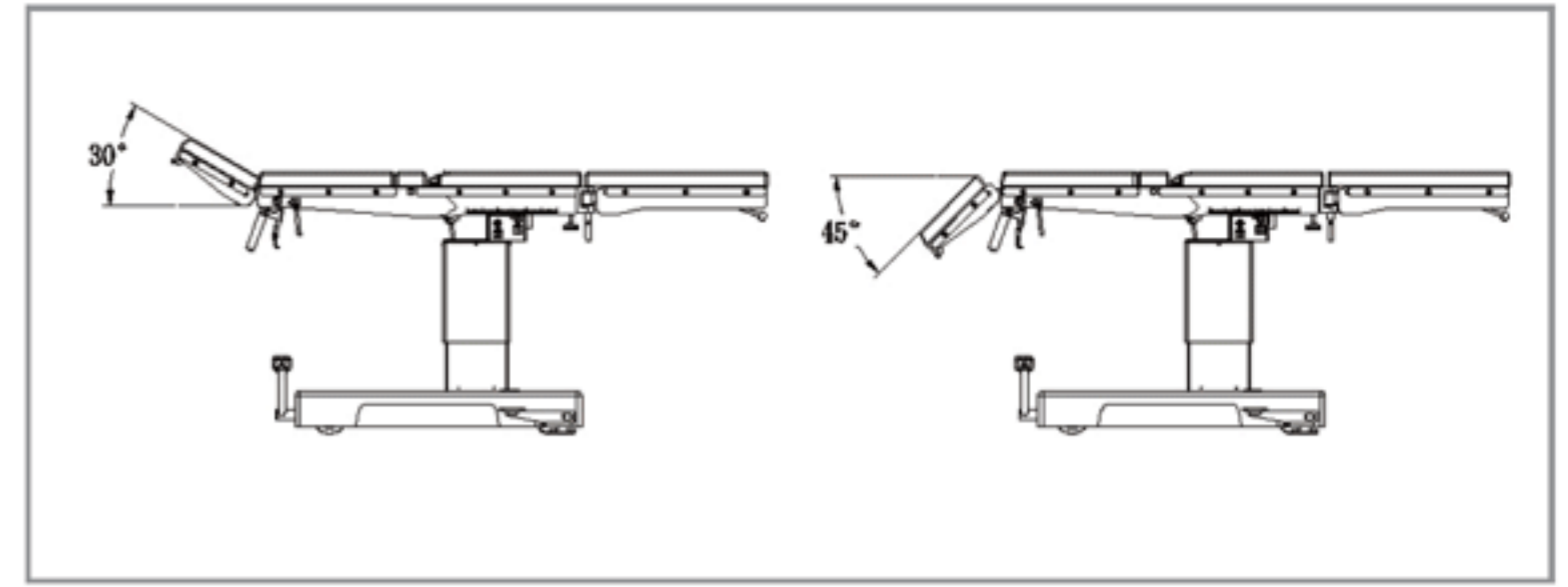
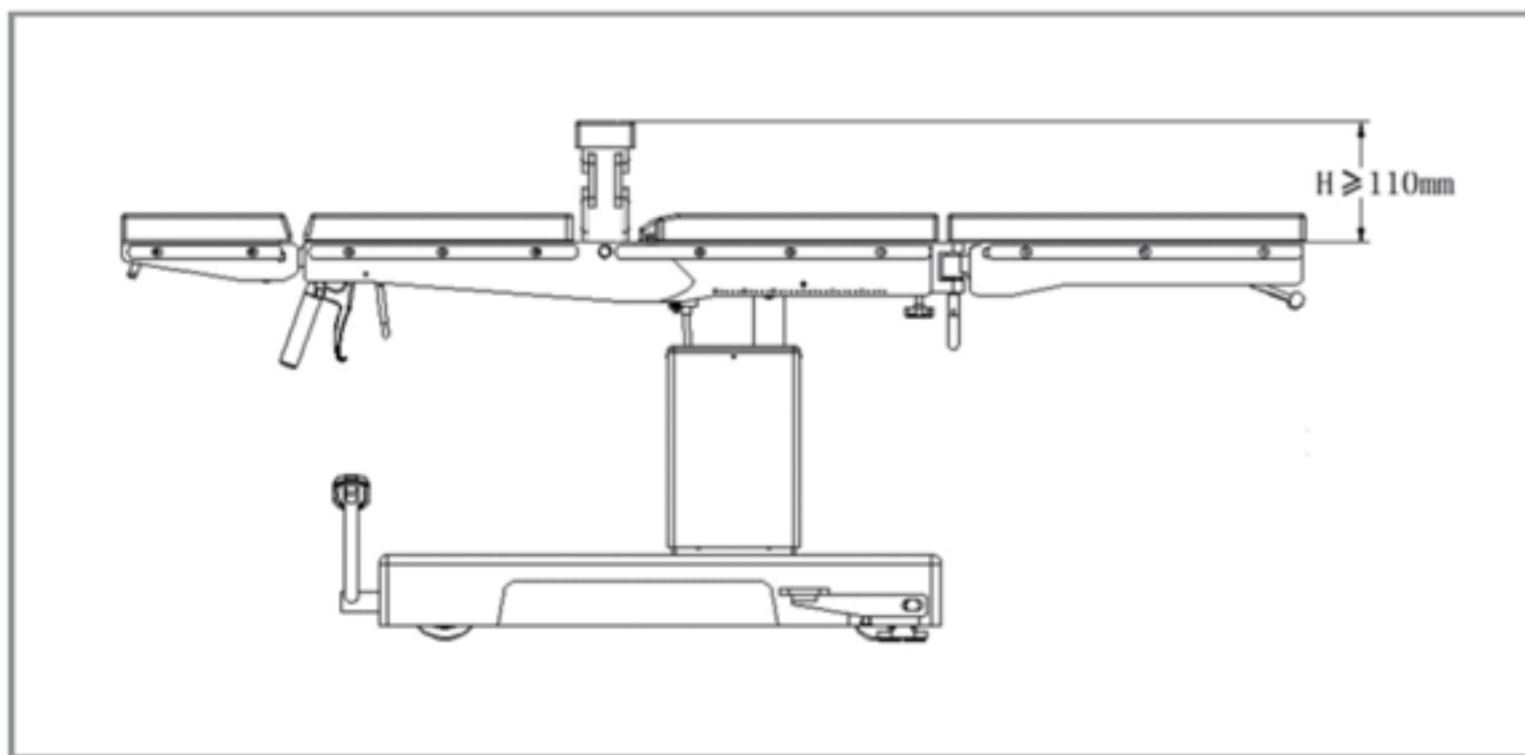
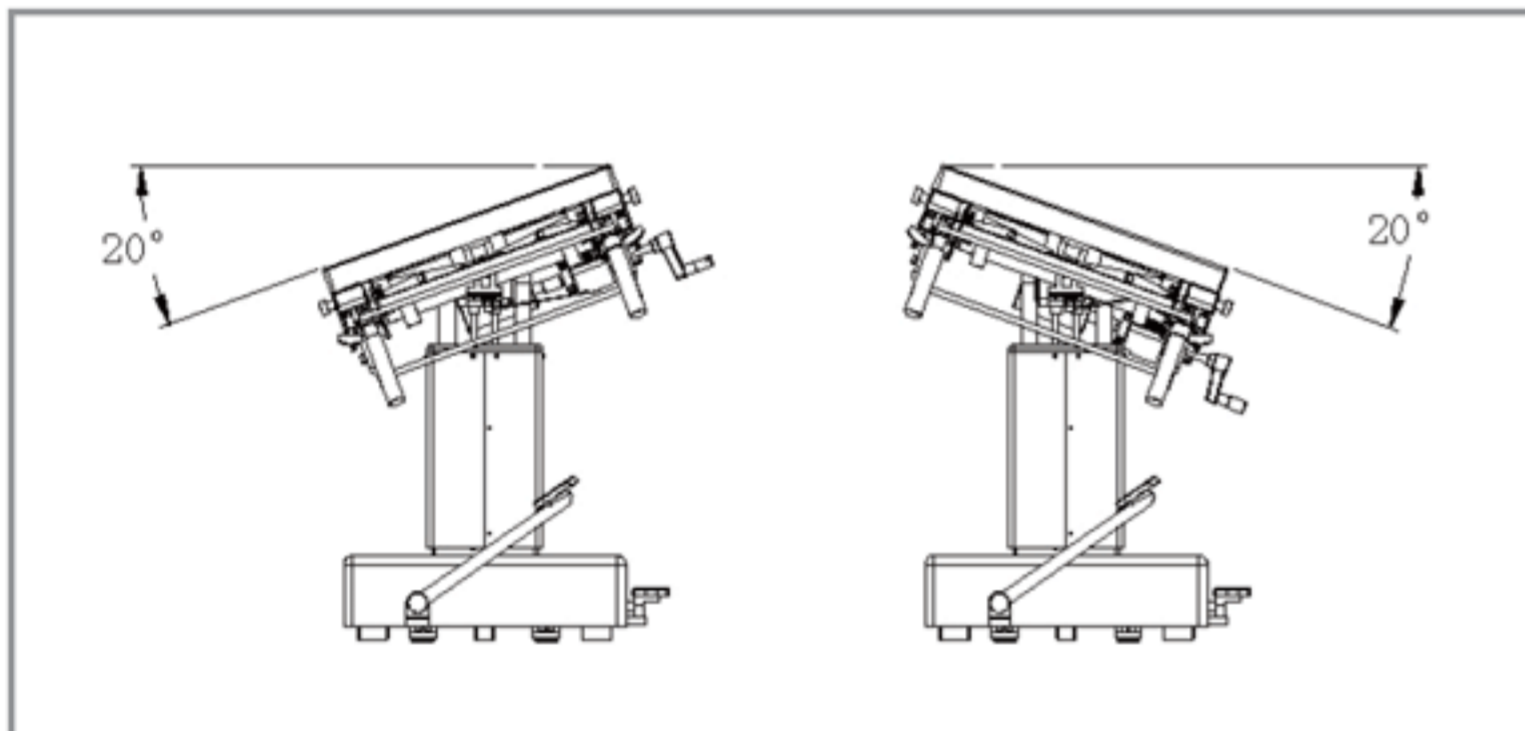
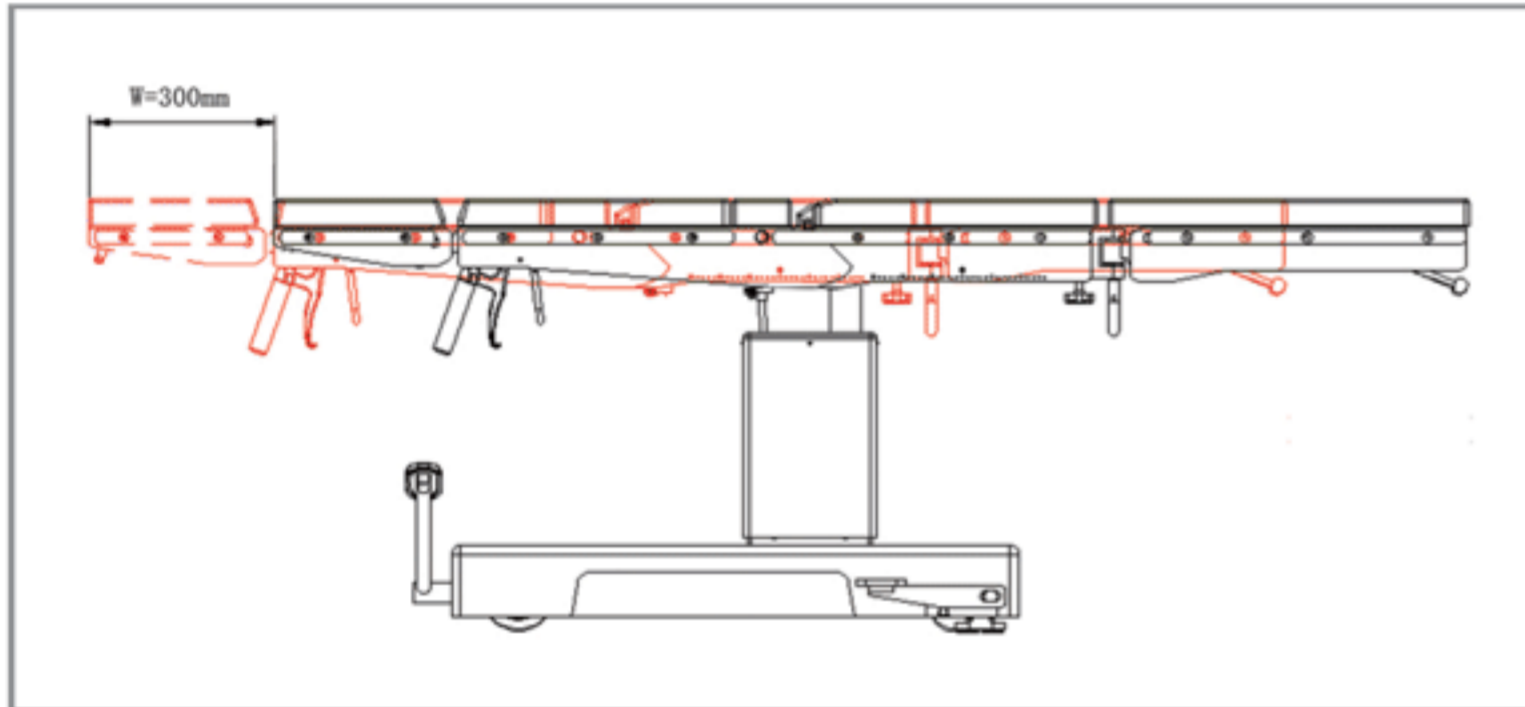
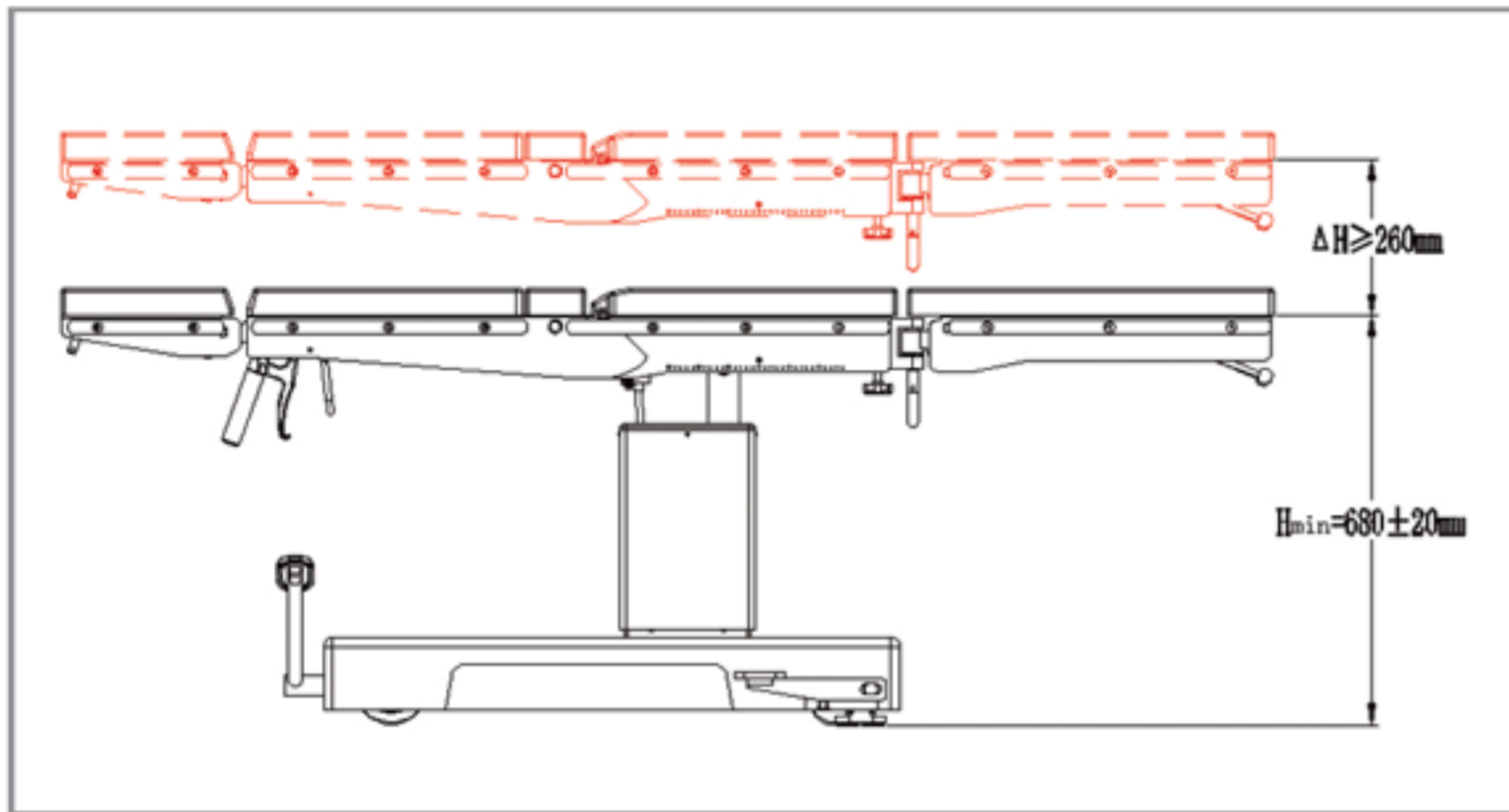


④

- Operating table is easy to fix and shift with simple and efficient base-lock system.

Broad range of position adjustment is suitable for more requirements by surgery department

OP750 is a manual operating table fully meeting various request by different sergey departments. It provides various positions through simple and accurate operation while ensuring patients' safety and comfort. Cost-effective OP750 with versatility is the ideal choice for modern operation room.



Technical Specifications:

- Table length: 2020mm
- Table Width(without side rails): 520mm
- Table Height(without mattress): 680mm-940mm
- Trendelenburg/Reverse: 20°/20°
- Lateral Tilt(left/right): 20°/20°
- Back Plate Up/Down: 75°/25°
- Head Plate Up/Down: 30°/45°(removable)
- Leg Plate Up/Down: 5°/90°
- Leg Plate Split: 180°(removable)
- Kidney-bridge Elevator UP: 110mm
- Longitudinal Shift (optional): 300mm
- Weight Capacity: 297kg